

ADVANCE[®]

PRODUCT CATALOG
Valves for a multiplicity of requirements

NEW SAV series

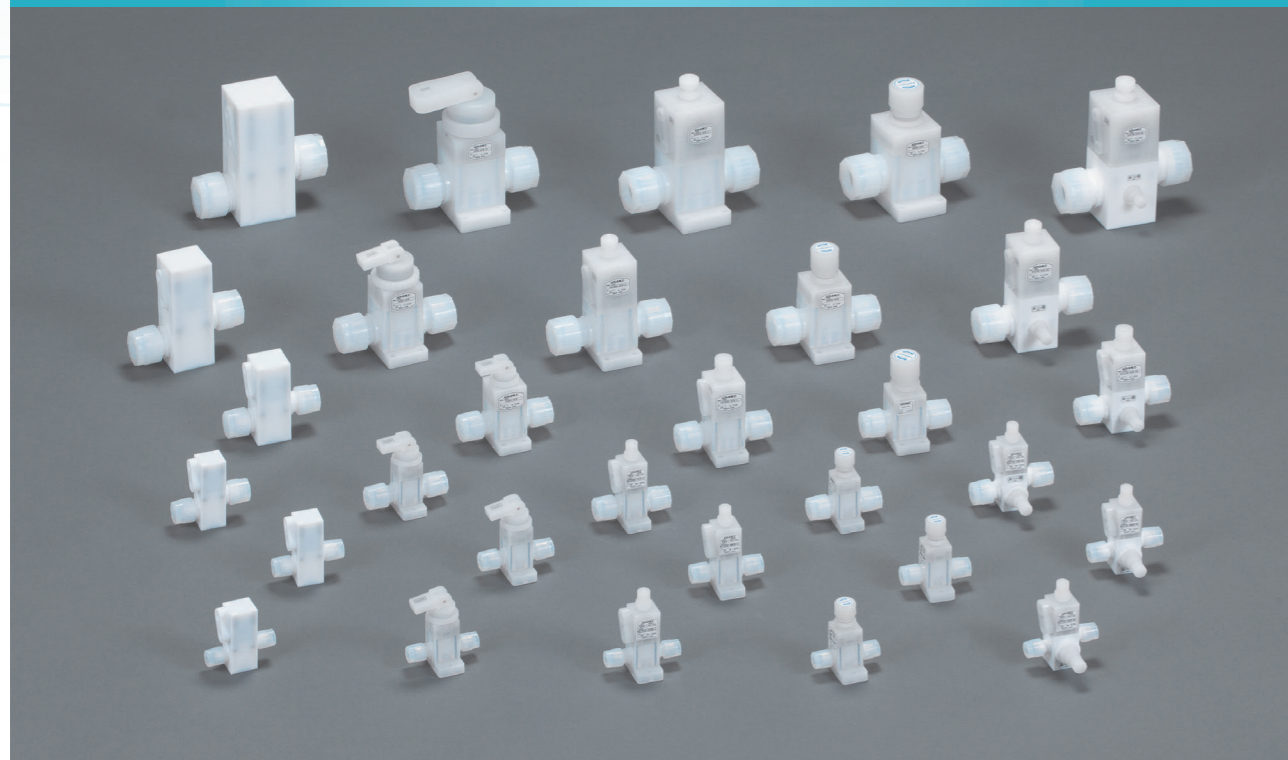
Pneumatically Actuated DIW / Chemical Valves
Multi-turn Actuated DIW / Chemical Valves
Toggle Actuated DIW / Chemical Valves

www.advance-e.jp

ADVANCE ELECTRIC CO., INC.

519-1,Urayashiki,Hazama-Cho,Kasugai-Shi,Aichi,487-0031 Japan PHONE:+81-568-88-7300 FAX:+81-568-88-7373

INDEX



NEW SAV series

Pneumatically Actuated DIW / Chemical Valves

N*26*S-2A/6MCB-*	02·03
N*26*S-8MCB-*	04·05
N*26*S-3/10MCB-*	06·07
N*36*S-4/12MCB-*	08·09
N*46*S-6/19MCB-*	10·11
N*66*S-8/25MCB-*	12·13
N*2100-2A/6MCB-W*	14·15
N*2100-8MCB-W*	16·17
N*2100-3/10MCB-W*	18·19
N*3100-4/12MCB-W*	20·21
N*4100-6/19MCB-W*	22·23
N*6100-8/25MCB-W*	24·25

Multi-turn Actuated DIW / Chemical Valves Toggle Actuated DIW / Chemical Valves

T26*S-2A/6MCB	26·27
T26*S-8MCB	28·29
T26*S-3/10MCB	30·31
T36*S-4/12MCB	32·33
T46*S-6/19MCB	34·35
T66*S-8/25MCB-01	36·37
M26*S-2A/6MCB	38·39
M26*S-8MCB	40·41
M26*S-3/10MCB	42·43
M36*S-4/12MCB	44·45
M46*S-6/19MCB	46·47
M66*S-8/25MCB	48·49

Export Control

●Export control is aimed at preventing the proliferation of weapons of mass destruction and other sensitive items to countries and regions of security concern or terrorist organizations. Export transactions of goods and technology that have potential weapons of mass destruction (WMD)/ conventional weapons applications are regulated under laws and regulations.

●To ensure safety by maintaining international peace and security, a license may be required from governmental authorities in order to export or provide products or technologies within this catalog. The regulation for export of cargos and technologies is defined by the following four regimes as well as governmental authorities of each country.

Nuclear Suppliers Group (NSG)
Australia Group (AG)

Missile Technology Control Regime (MTCR)
Wassenaar Arrangement (WA)

●Be sure to comply with each country's export control laws and regulations when exporting or providing products or technologies within this catalog.

※Please contact us if you have any questions.

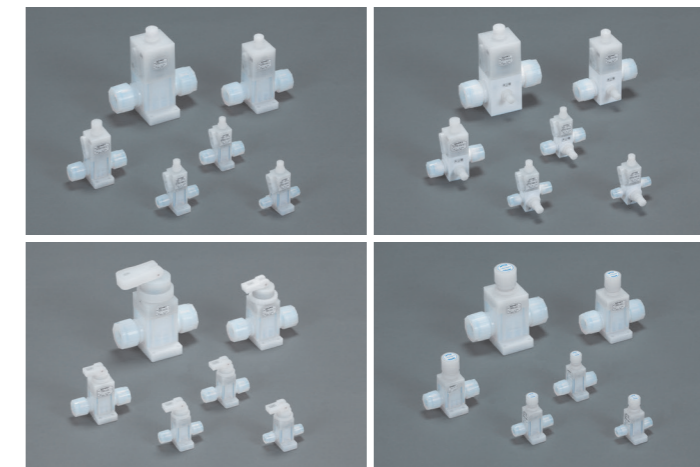
NEW SAV series

Pneumatically Actuated DIW / Chemical Valve

Driven by a pneumatic actuator (cylinder) the New SAV series pneumatic valves open and close by air operation.

Multi-turn Actuated DIW / Chemical Valve Toggle Actuated DIW / Chemical Valve

The NEW SAV series multi-turn valve opens and closes by manually turning the handle. The NEW SAV series toggle valve opens and closes by switching the lever back and forth.

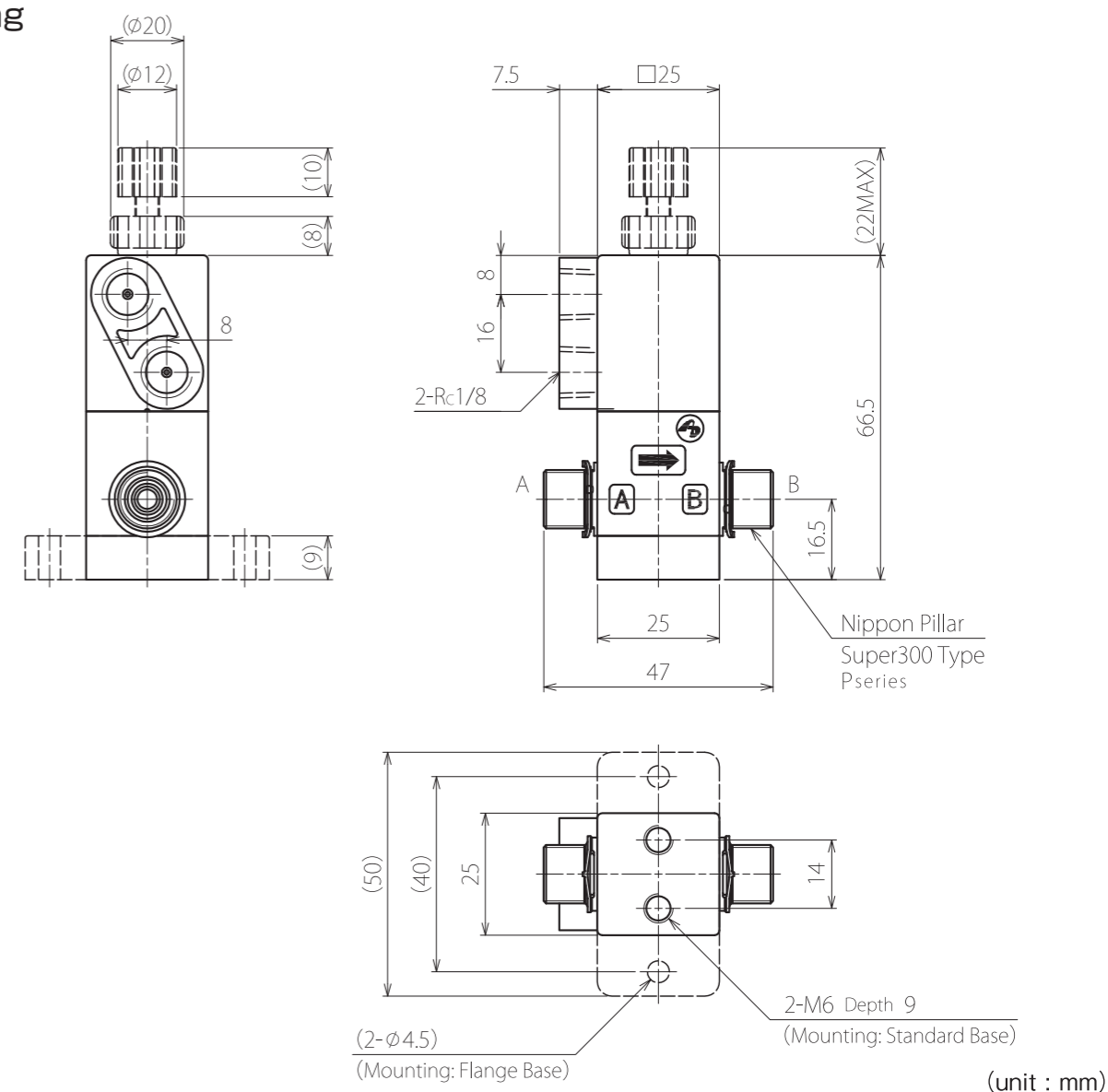


Pneumatically Actuated DIW / Chemical Valve

N*26*S-2A/6MCB-*



Dimensional Drawing



Specifications

Model Code	See Model Selection Table
Orifice Size	$\phi 4$ [mm]
Connection Size	See Model Selection Table
Cv	0.34
Applicable Media	DI Water, Corrosive Fluid
Media Pressure	A→B: 0~0.5MPa B→A: 0~0.5MPa
Media Temperature	10~100°C
Ambient Temperature	10~60°C
Operational Mode	Spring Return (Single-acting Type)
Pneumatic Pressure	0.38~0.5MPa
Wetted Material	Diaphragm: Corrosion-resistant plastic Valve Body: Corrosion-resistant plastic

*Specifications are subject to change without notice.

Model Selection Table

N*26*S-*CB-*

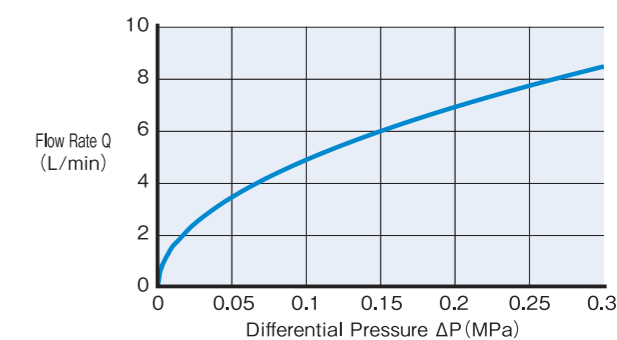
Z: with Flow Adjuster

Connection Size
2A: (I.D.×O.D.)3.97×6.35 [mm]
6M: (I.D.×O.D.)4×6 [mm]

Installation Method
O: Standard Base
9: Flange Base

C: NC (Normally Closed)
O: NO (Normally Open)

Flow Characteristics Cv:0.34

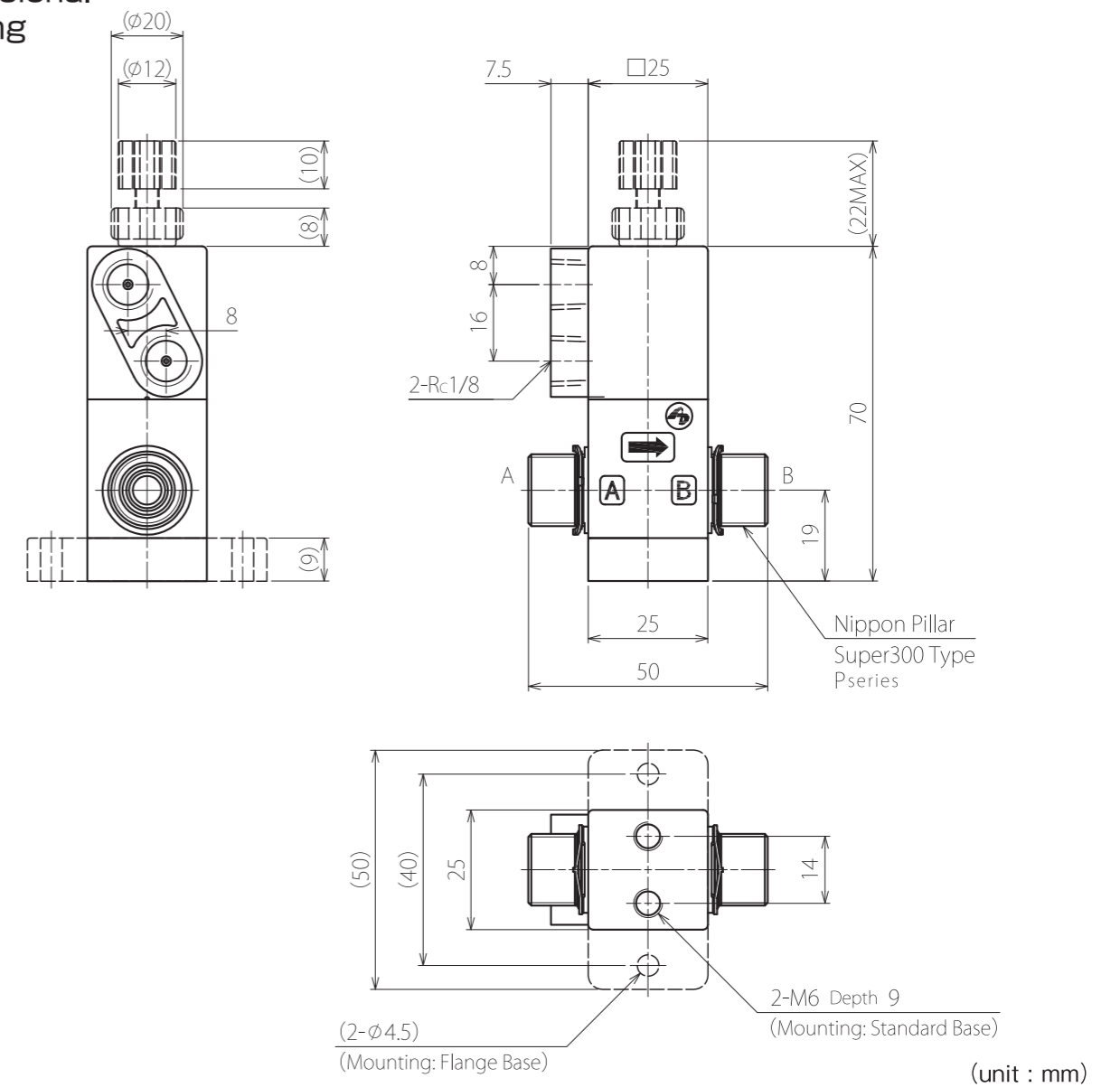


Pneumatically Actuated DIW / Chemical Valve

N*26*S-8MCB-*



Dimensional Drawing



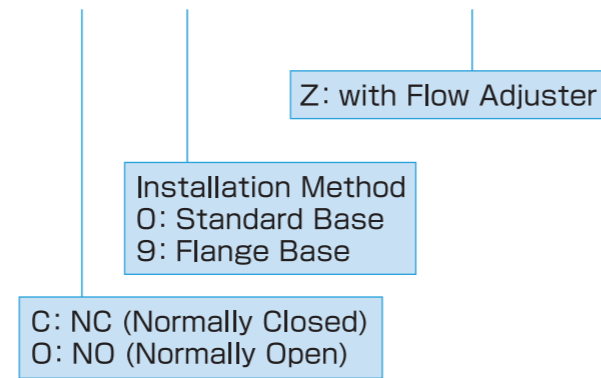
Specifications

Model Code	See Model Selection Table
Orifice Size	φ6[mm]
Connection Size	(I.D.×O.D.) 6×8[mm]
Cv	0.72
Applicable Media	DI Water, Corrosive Fluid
Media Pressure	A→B: 0~0.5MPa B→A: 0~0.5MPa
Media Temperature	10~100°C
Ambient Temperature	10~60°C
Operational Mode	Spring Return (Single-acting Type)
Pneumatic Pressure	0.38~0.5MPa
Wetted Material	Diaphragm: Corrosion-resistant plastic Valve Body: Corrosion-resistant plastic

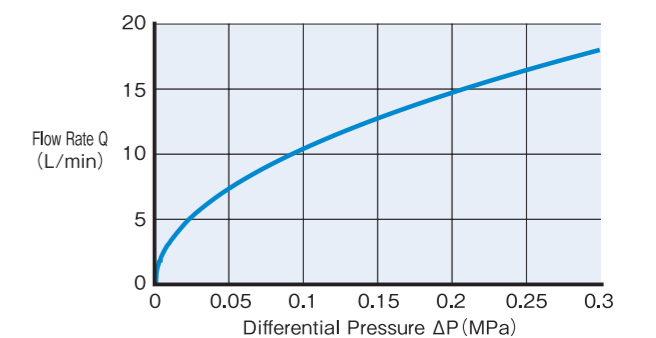
*Specifications are subject to change without notice.

Model Selection Table

N*26*S-8MCB-*



Flow Characteristics Cv:0.72

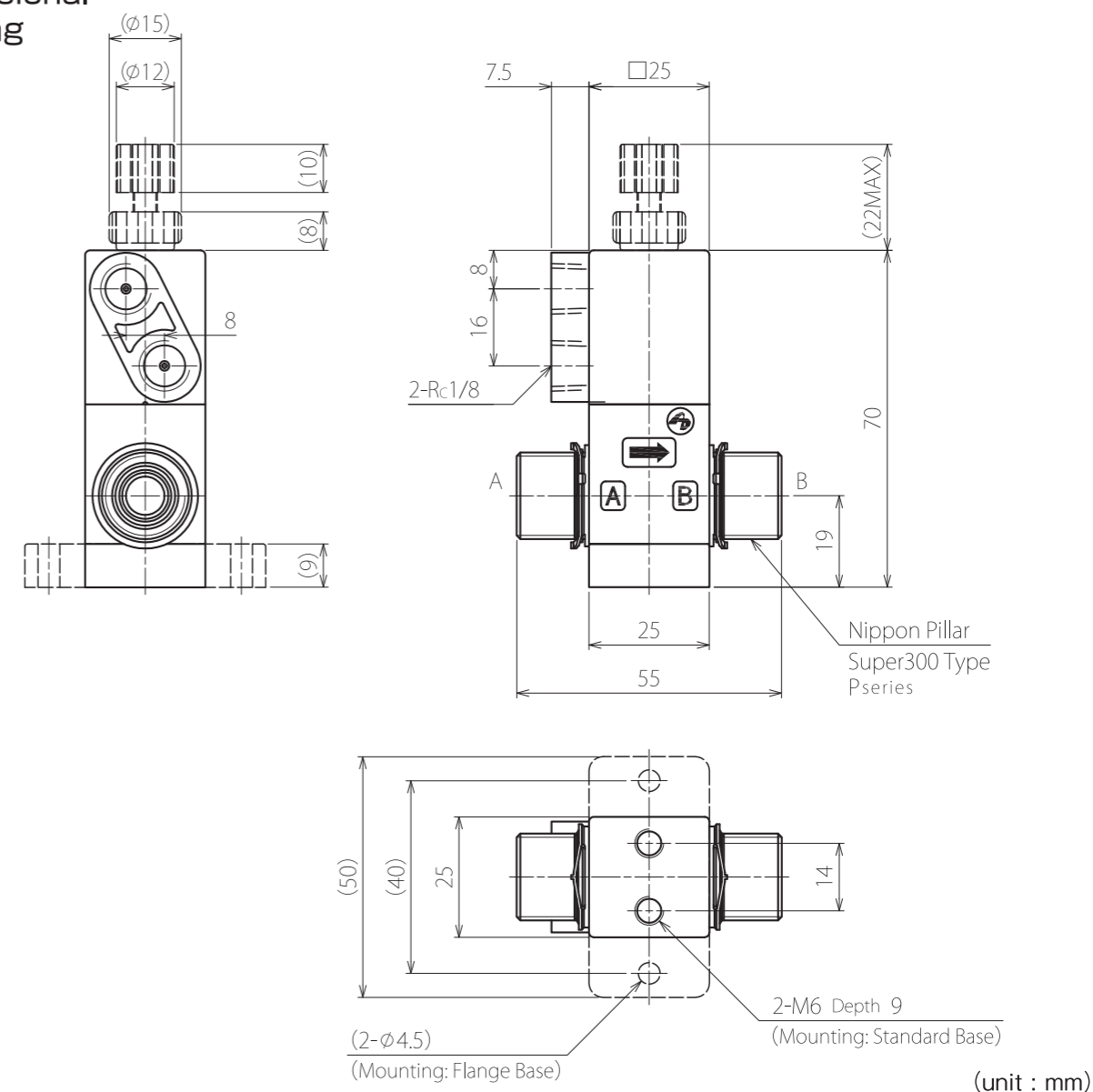


Pneumatically Actuated DIW / Chemical Valve

N*26*S-3/10MCB-*



Dimensional Drawing



Specifications

Model Code	See Model Selection Table
Orifice Size	φ6[mm]
Connection Size	See Model Selection Table
Cv	0.73
Applicable Media	DI Water, Corrosive Fluid
Media Pressure	A→B: 0~0.5MPa B→A: 0~0.5MPa
Media Temperature	10~100°C
Ambient Temperature	10~60°C
Operational Mode	Spring Return (Single-acting Type)
Pneumatic Pressure	0.38~0.5MPa
Wetted Material	Diaphragm: Corrosion-resistant plastic Valve Body: Corrosion-resistant plastic

*Specifications are subject to change without notice.

Model Selection Table

N*26*S-*CB-*

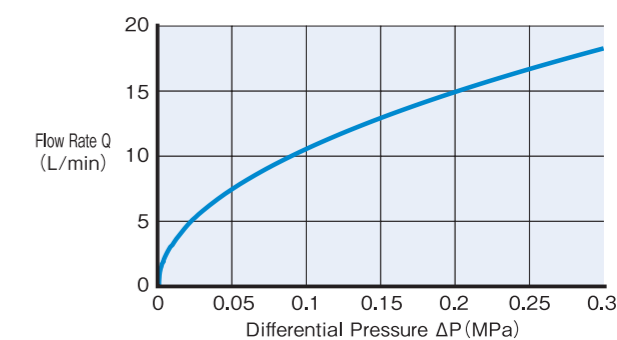
Z: with Flow Adjuster

Connection Size
3: (I.D.xO.D.)6.35x9.53[mm]
10M: (I.D.xO.D.)8x10[mm]

Installation Method
0: Standard Base
9: Flange Base

C: NC (Normally Closed)
O: NO (Normally Open)

Flow Characteristics Cv:0.73

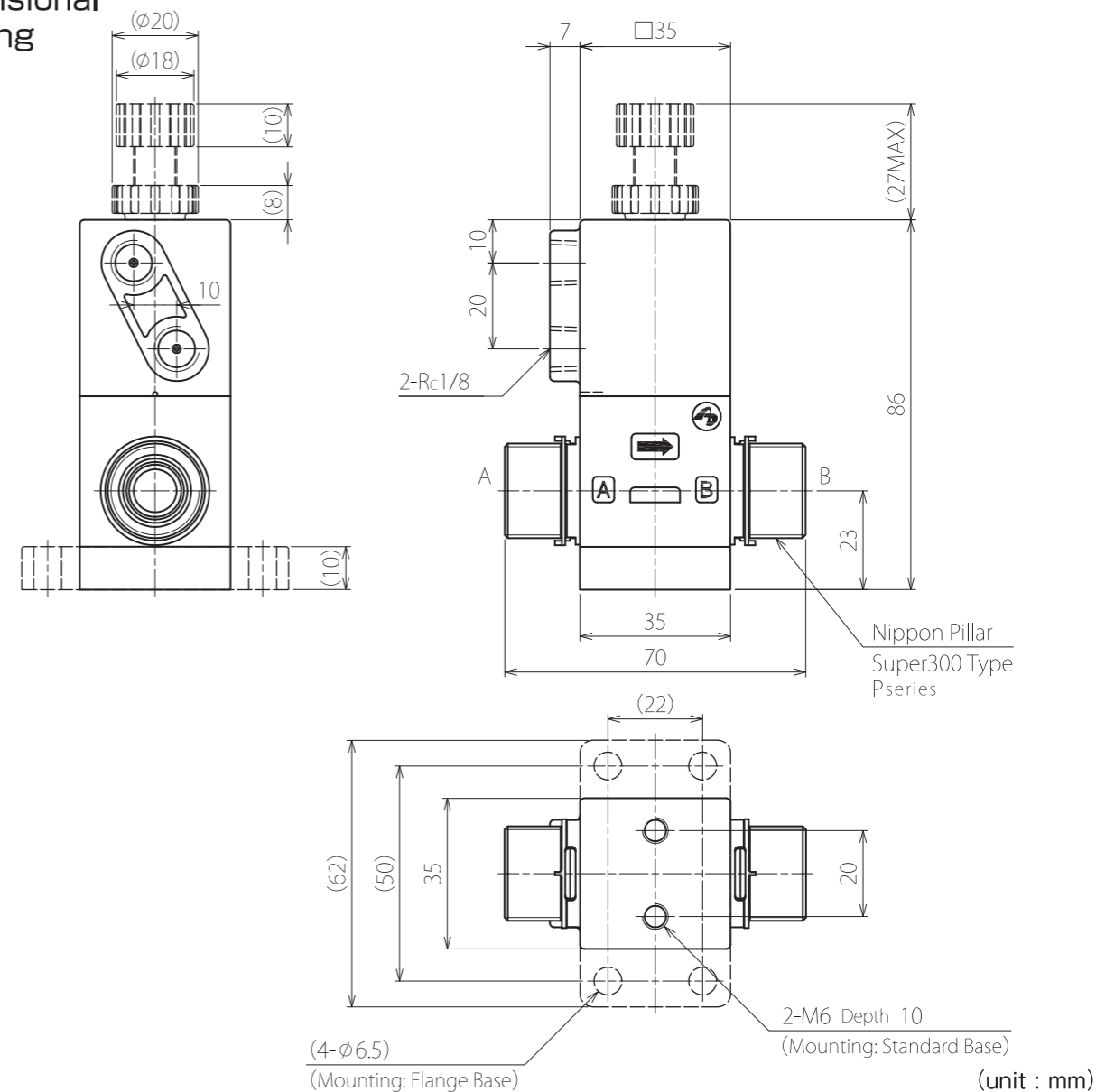


Pneumatically Actuated DIW / Chemical Valve

N*36*S-4/12MCB-*



Dimensional Drawing



Specifications

Model Code	See Model Selection Table
Orifice Size	φ10 [mm]
Connection Size	See Model Selection Table
Cv	2.0
Applicable Media	DI Water, Corrosive Fluid
Media Pressure	A→B: 0~0.5MPa
	B→A: 0~0.5MPa
Media Temperature	10~100°C
Ambient Temperature	10~60°C
Operational Mode	Spring Return (Single-acting Type)
Pneumatic Pressure	0.38~0.5MPa
Wetted Material	Diaphragm: Corrosion-resistant plastic
	Valve Body: Corrosion-resistant plastic

*Specifications are subject to change without notice.

Model Selection Table

N*36*S-*CB-*

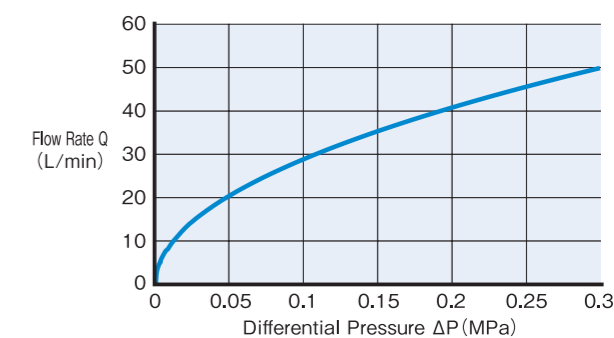
Z: with Flow Adjuster

Connection Size
4: (I.D.xO.D.) 9.53x12.7 [mm]
12M: (I.D.xO.D.) 10x12 [mm]

Installation Method
0: Standard Base
9: Flange Base

C: NC (Normally Closed)
O: NO (Normally Open)

Flow Characteristics Cv:2.0



Pneumatically Actuated DIW / Chemical Valve

N*46*S-6/19MCB-*



Specifications

Model Code	See Model Selection Table
Orifice Size	φ16 [mm]
Connection Size	See Model Selection Table
Cv	5.1
Applicable Media	DI Water, Corrosive Fluid
Media Pressure	A→B: 0~0.5MPa B→A: 0~0.5MPa
Media Temperature	10~100°C
Ambient Temperature	10~60°C
Operational Mode	Spring Return (Single-acting Type)
Pneumatic Pressure	0.38~0.5MPa
Wetted Material	Diaphragm: Corrosion-resistant plastic Valve Body: Corrosion-resistant plastic

*Specifications are subject to change without notice.

Model Selection Table

N*46*S-*CB-*

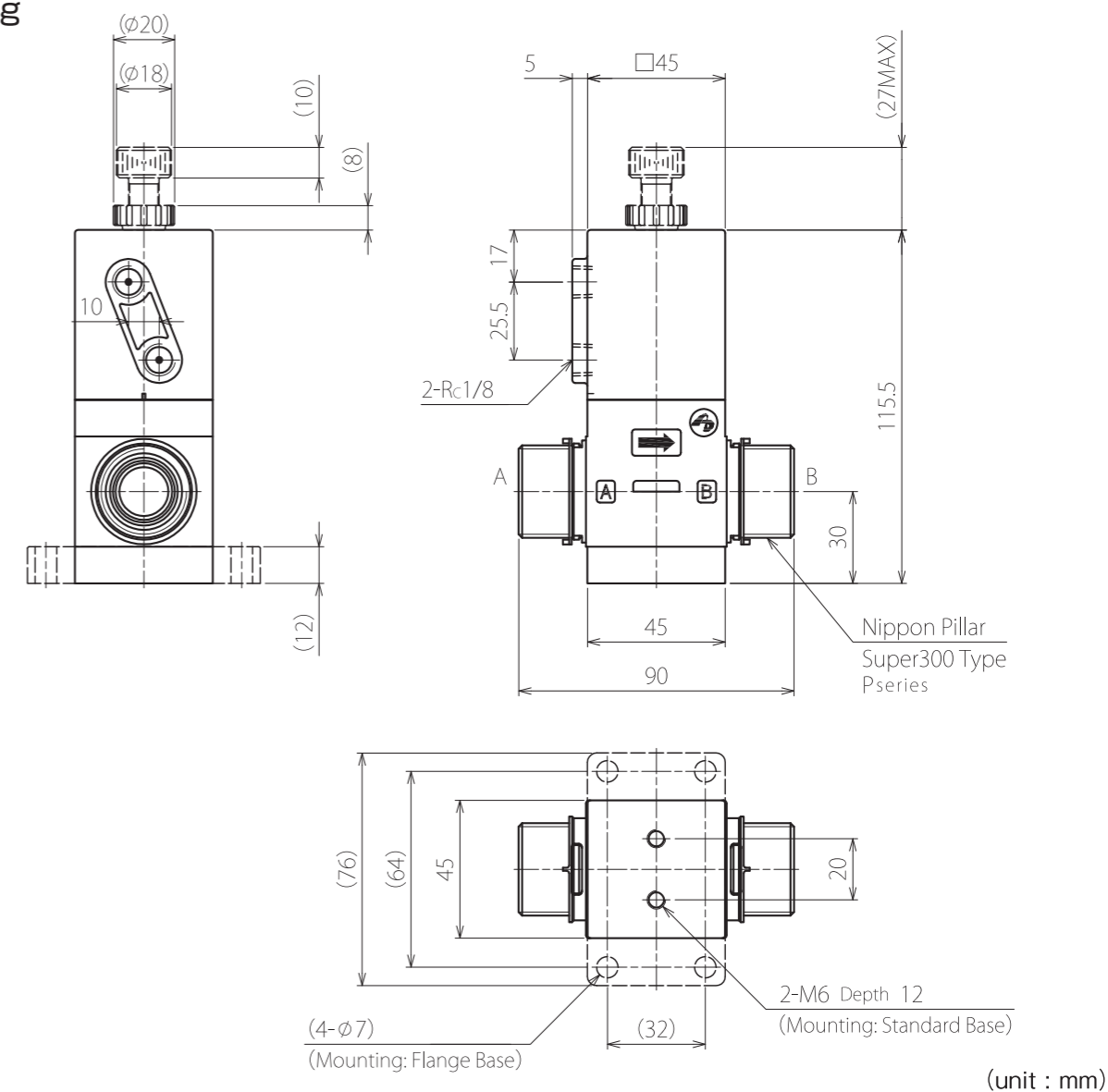
Z: with Flow Adjuster

Connection Size
6: (I.D.×O.D.) 15.88×19.05 [mm]
19M: (I.D.×O.D.) 16×19 [mm]

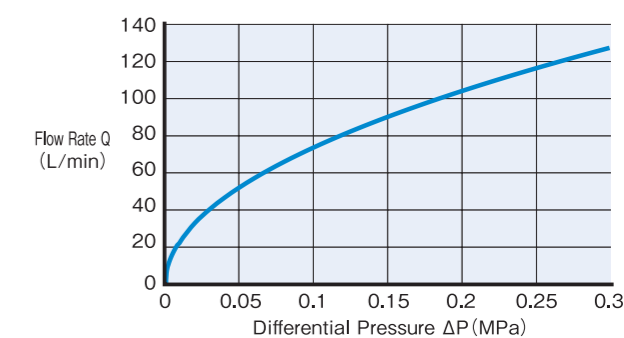
Installation Method
O: Standard Base
9: Flange Base

C: NC (Normally Closed)
O: NO (Normally Open)

Dimensional Drawing



Flow Characteristics Cv:5.1



Pneumatically Actuated DIW / Chemical Valve

N*66*S-8/25MCB-*



Specifications

Model Code	See Model Selection Table
Orifice Size	φ22 [mm]
Connection Size	See Model Selection Table
Cv	9.6
Applicable Media	DI Water, Corrosive Fluid
Media Pressure	A→B: 0~0.5MPa
	B→A: 0~0.5MPa
Media Temperature	10~100°C
Ambient Temperature	10~60°C
Operational Mode	Spring Return (Single-acting Type)
Pneumatic Pressure	0.38~0.5MPa
Wetted Material	Diaphragm: Corrosion-resistant plastic
	Valve Body: Corrosion-resistant plastic

*Specifications are subject to change without notice.

Model Selection Table

N*66*S-*CB-*

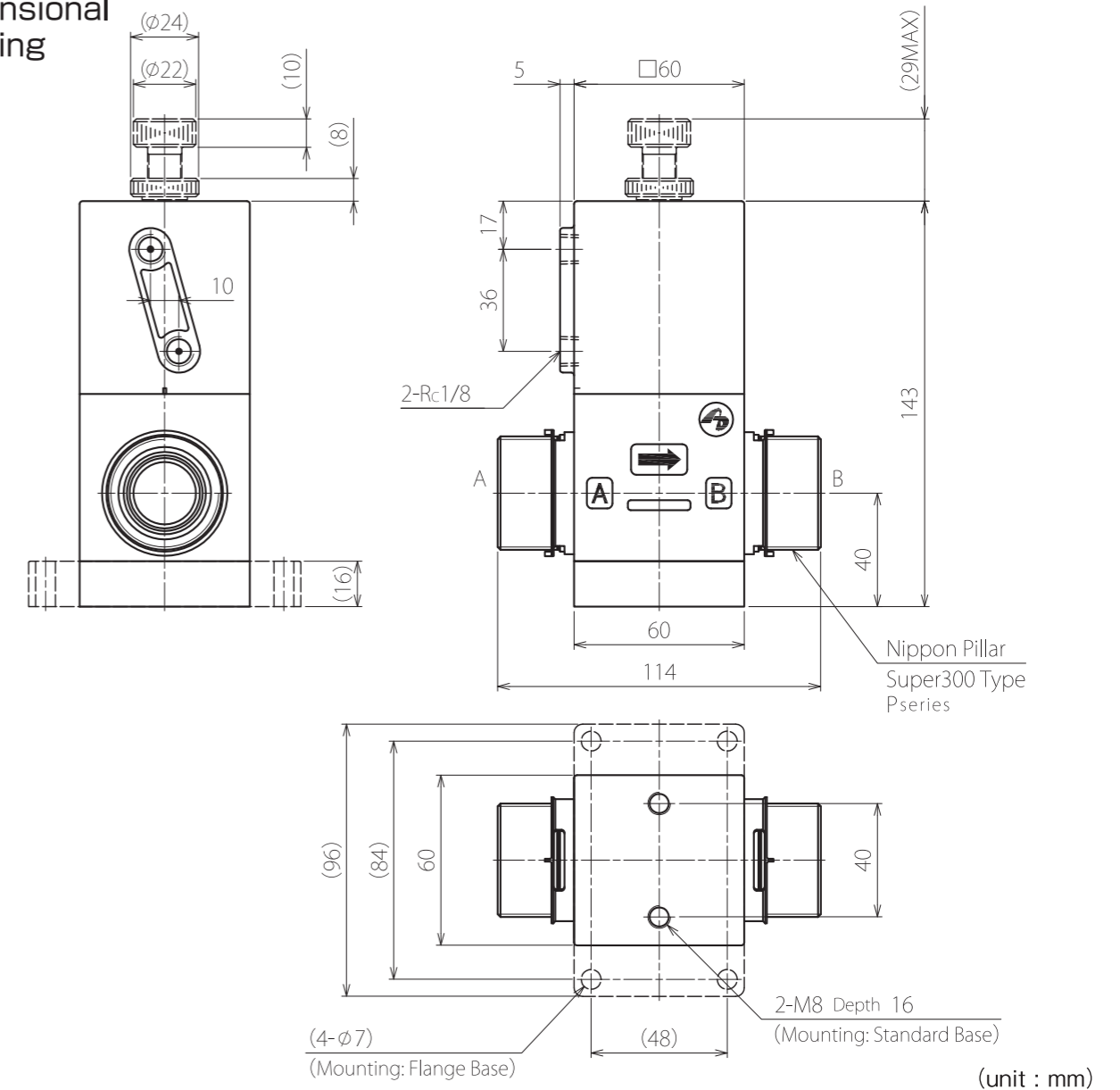
Z: with Flow Adjuster

Connection Size
8: (I.D.xO.D.) 22.23x25.4 [mm]
25M: (I.D.xO.D.) 22x25 [mm]

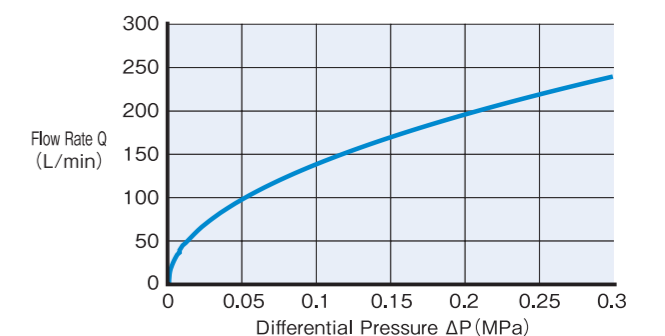
Installation Method
0: Standard Base
9: Flange Base

C: NC (Normally Closed)
O: NO (Normally Open)

Dimensional Drawing



Flow Characteristics Cv:9.6

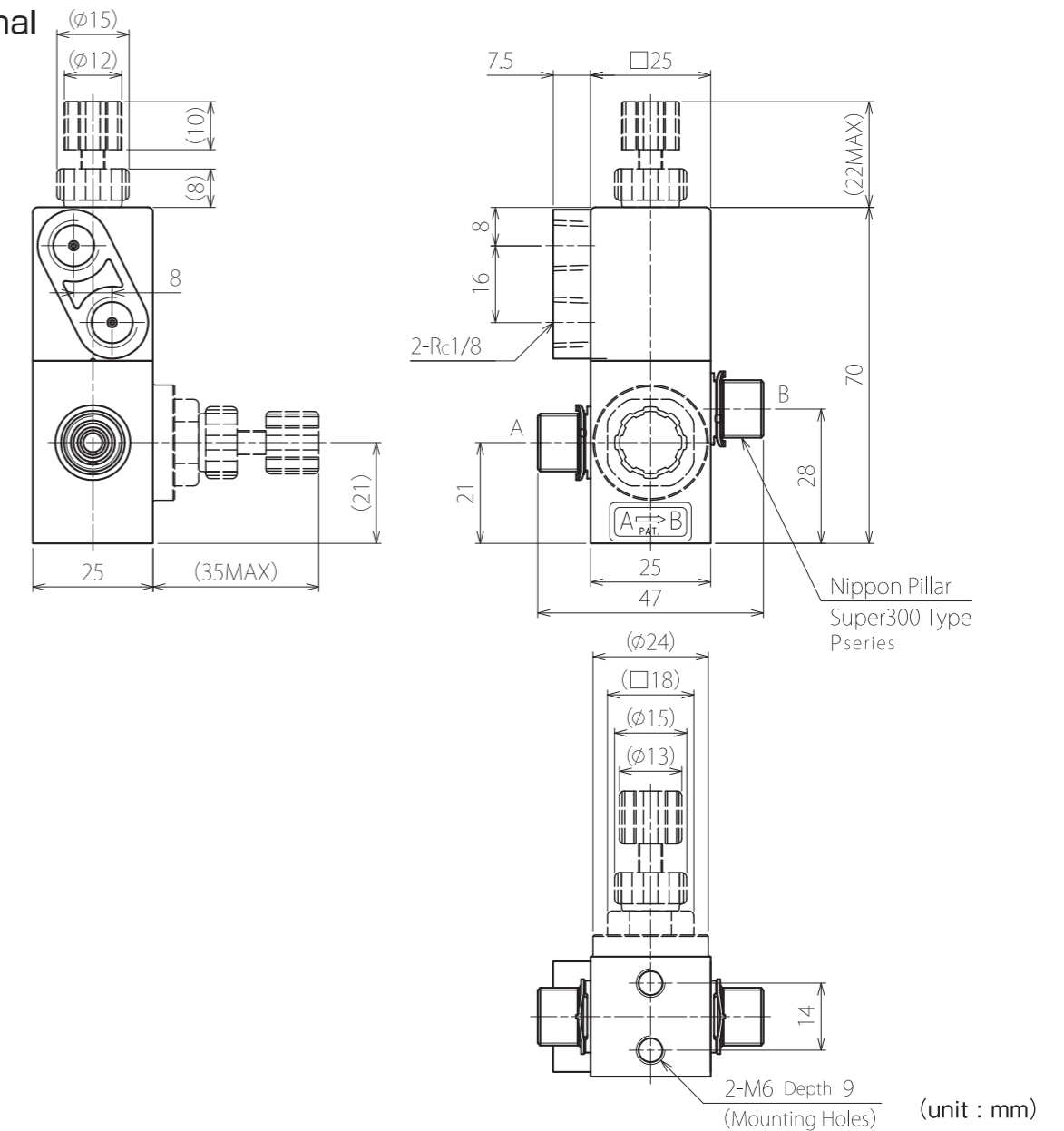


Pneumatically Actuated DIW / Chemical Valve

N*2100-2A/6MCB-W*



Dimensional Drawing



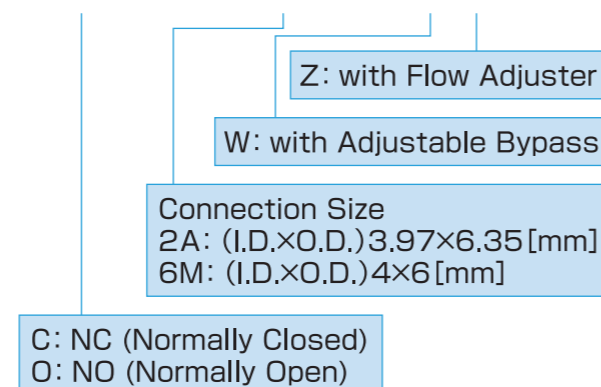
Specifications

Model Code	See Model Selection Table
Orifice Size	φ4 [mm]
Connection Size	See Model Selection Table
Cv	0.32
Applicable Media	DI Water, Corrosive Fluid
Media Pressure	A→B: 0~0.5MPa B→A: 0~0.5MPa
Media Temperature	10~100°C
Ambient Temperature	10~60°C
Operational Mode	Spring Return (Single-acting Type)
Pneumatic Pressure	0.38~0.5MPa
Wetted Material	Diaphragm: Corrosion-resistant plastic Valve Body: Corrosion-resistant plastic

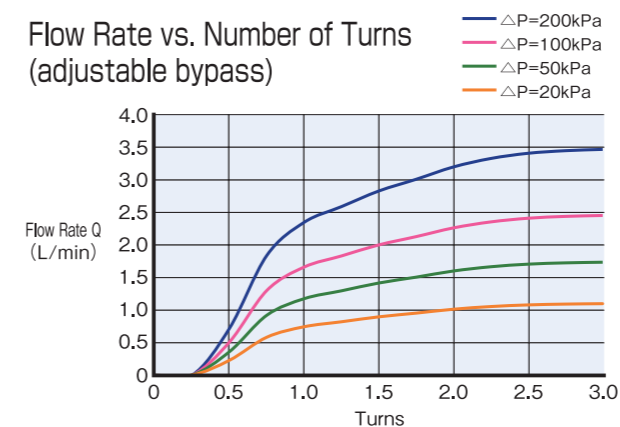
*Specifications are subject to change without notice.

Model Selection Table

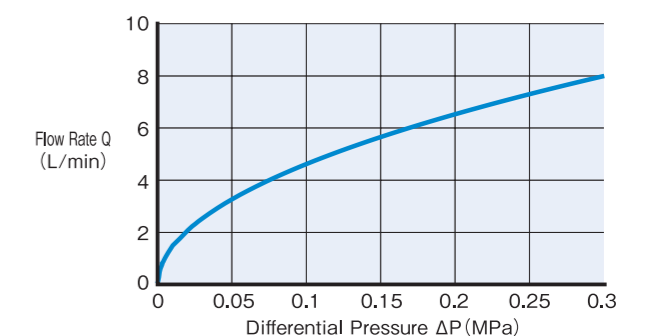
N*2100-*CB-W*



Flow Rate vs. Number of Turns (adjustable bypass)



Flow Characteristics Cv:0.32

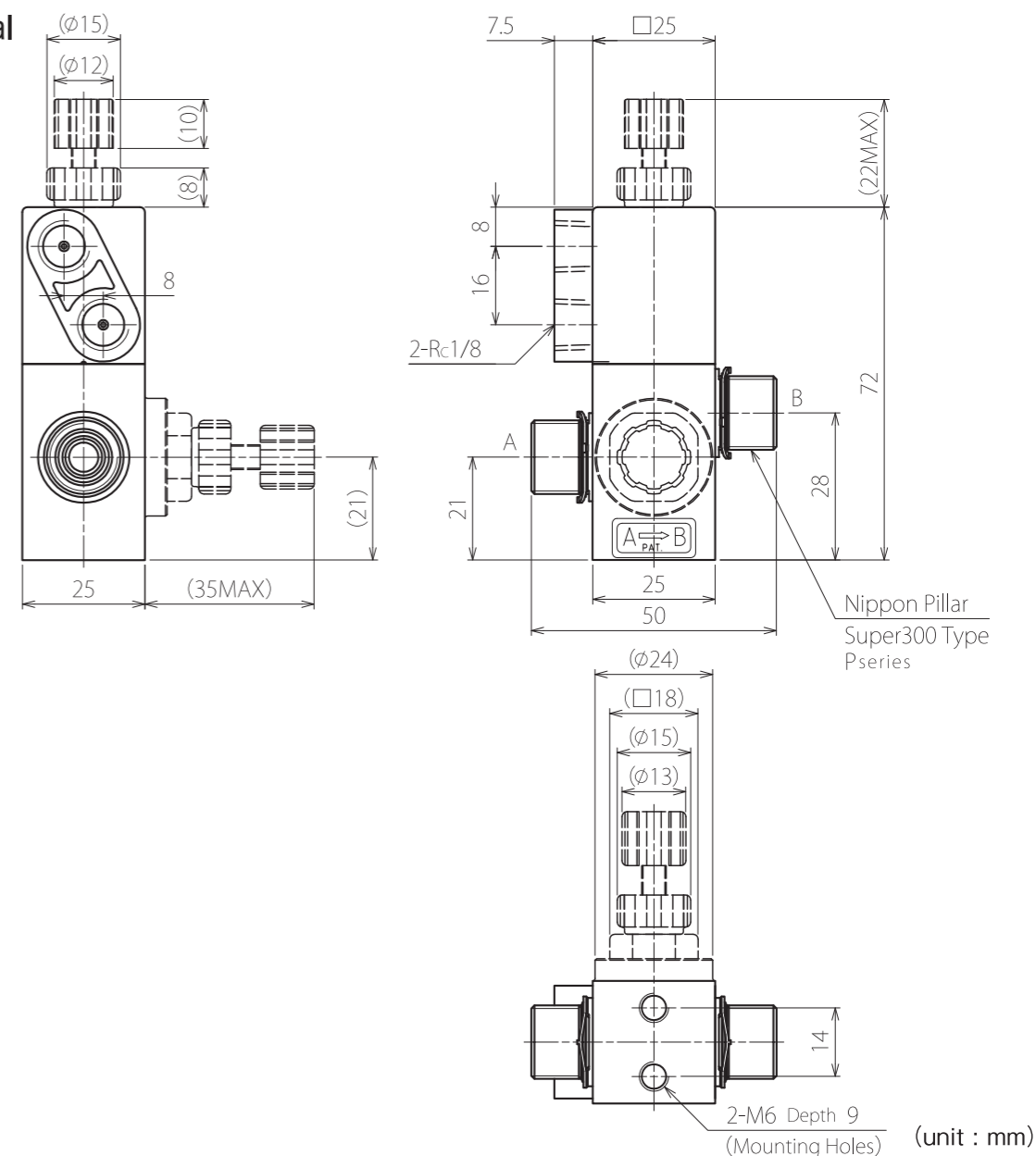


Pneumatically Actuated DIW / Chemical Valve

N*2100-8MCB-W*



Dimensional Drawing



Specifications

Model Code	See Model Selection Table
Orifice Size	φ6[mm]
Connection Size	See Model Selection Table
Cv	0.84
Applicable Media	DI Water, Corrosive Fluid
Media Pressure	A→B: 0~0.5MPa B→A: 0~0.5MPa
Media Temperature	10~100°C
Ambient Temperature	10~60°C
Operational Mode	Spring Return (Single-acting Type)
Pneumatic Pressure	0.38~0.5MPa
Wetted Material	Diaphragm: Corrosion-resistant plastic Valve Body: Corrosion-resistant plastic

*Specifications are subject to change without notice.

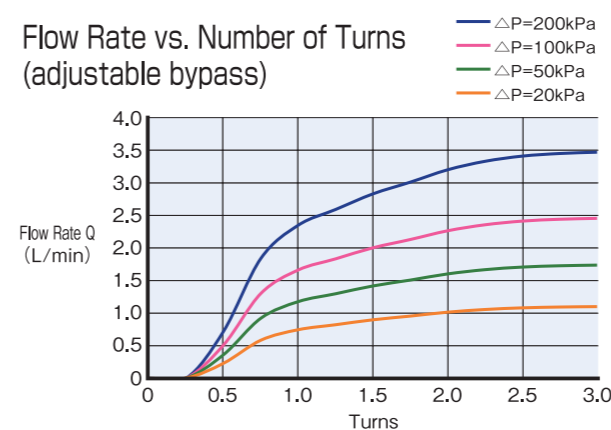
Model Selection Table

N*2100-8MCB-W*

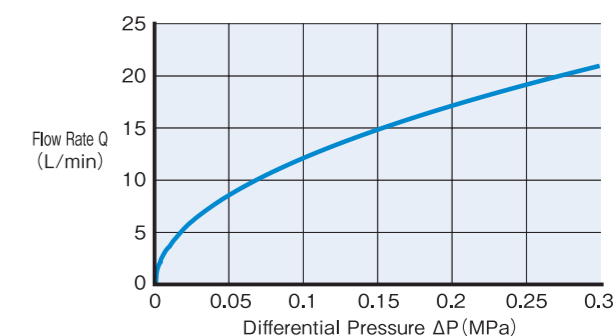
Z: with Flow Adjuster
W: with Adjustable Bypass

C: NC (Normally Closed)
O: NO (Normally Open)

Flow Rate vs. Number of Turns (adjustable bypass)



Flow Characteristics Cv:0.84

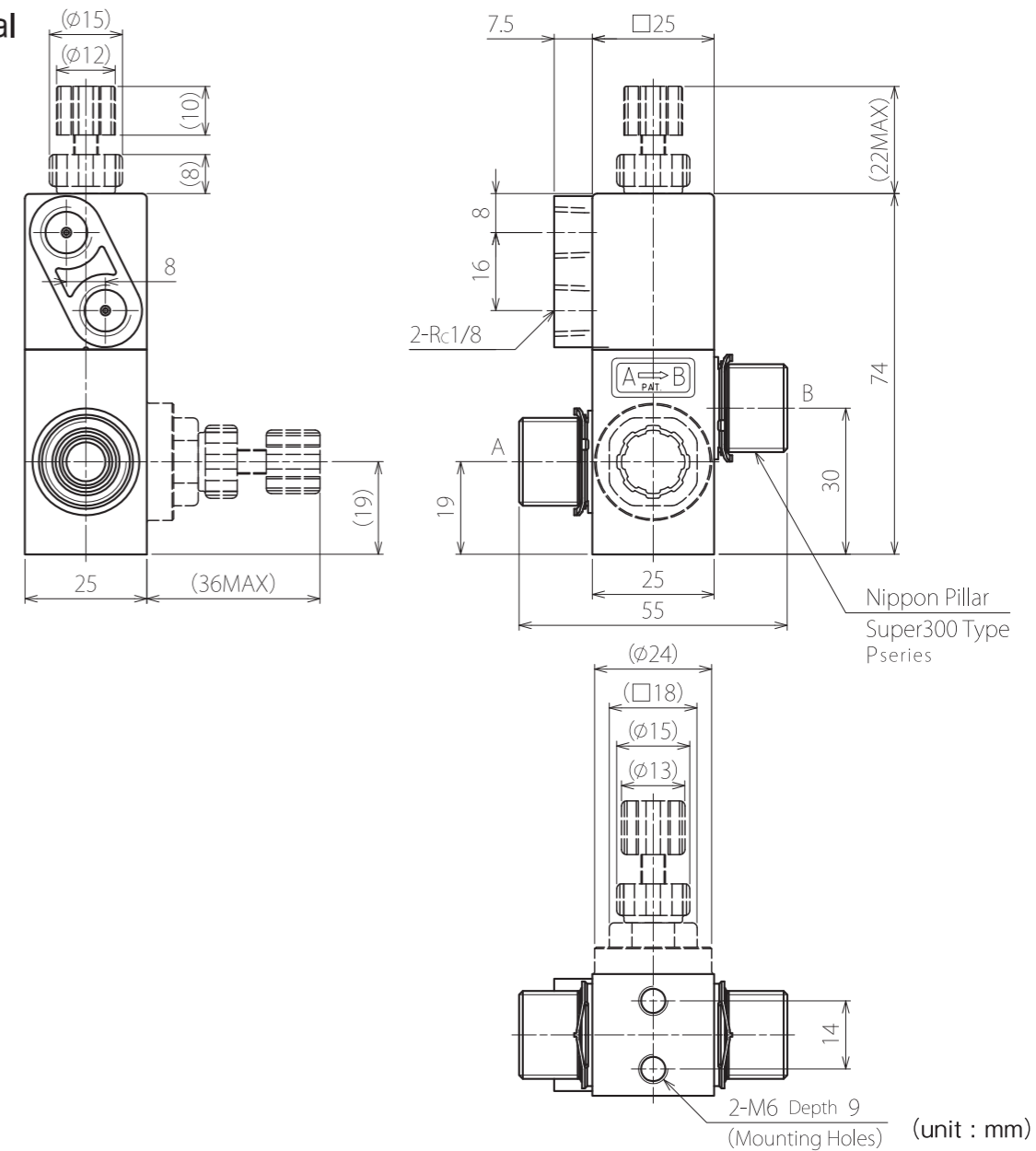


Pneumatically Actuated DIW / Chemical Valve

N*2100-3/10MCB-W*



Dimensional Drawing



Specifications

Model Code	See Model Selection Table
Orifice Size	φ6[mm]
Connection Size	See Model Selection Table
Cv	0.86
Applicable Media	DI Water, Corrosive Fluid
Media Pressure	A→B: 0~0.5MPa B→A: 0~0.5MPa
Media Temperature	10~100°C
Ambient Temperature	10~60°C
Operational Mode	Spring Return (Single-acting Type)
Pneumatic Pressure	0.38~0.5MPa
Wetted Material	Diaphragm: Corrosion-resistant plastic Valve Body: Corrosion-resistant plastic

*Specifications are subject to change without notice.

Model Selection Table

N*2100-*CB-W*

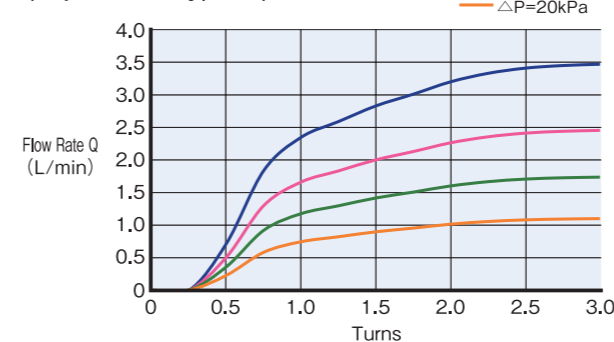
Z: with Flow Adjuster

W: with Adjustable Bypass

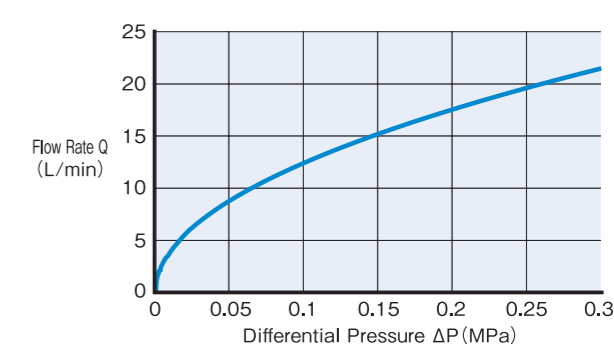
Connection Size
3: (I.D.×O.D.)6.35×9.53[mm]
10M: (I.D.×O.D.)8×10[mm]

C: NC (Normally Closed)
O: NO (Normally Open)

Flow Rate vs. Number of Turns (adjustable bypass)



Flow Characteristics Cv:0.86

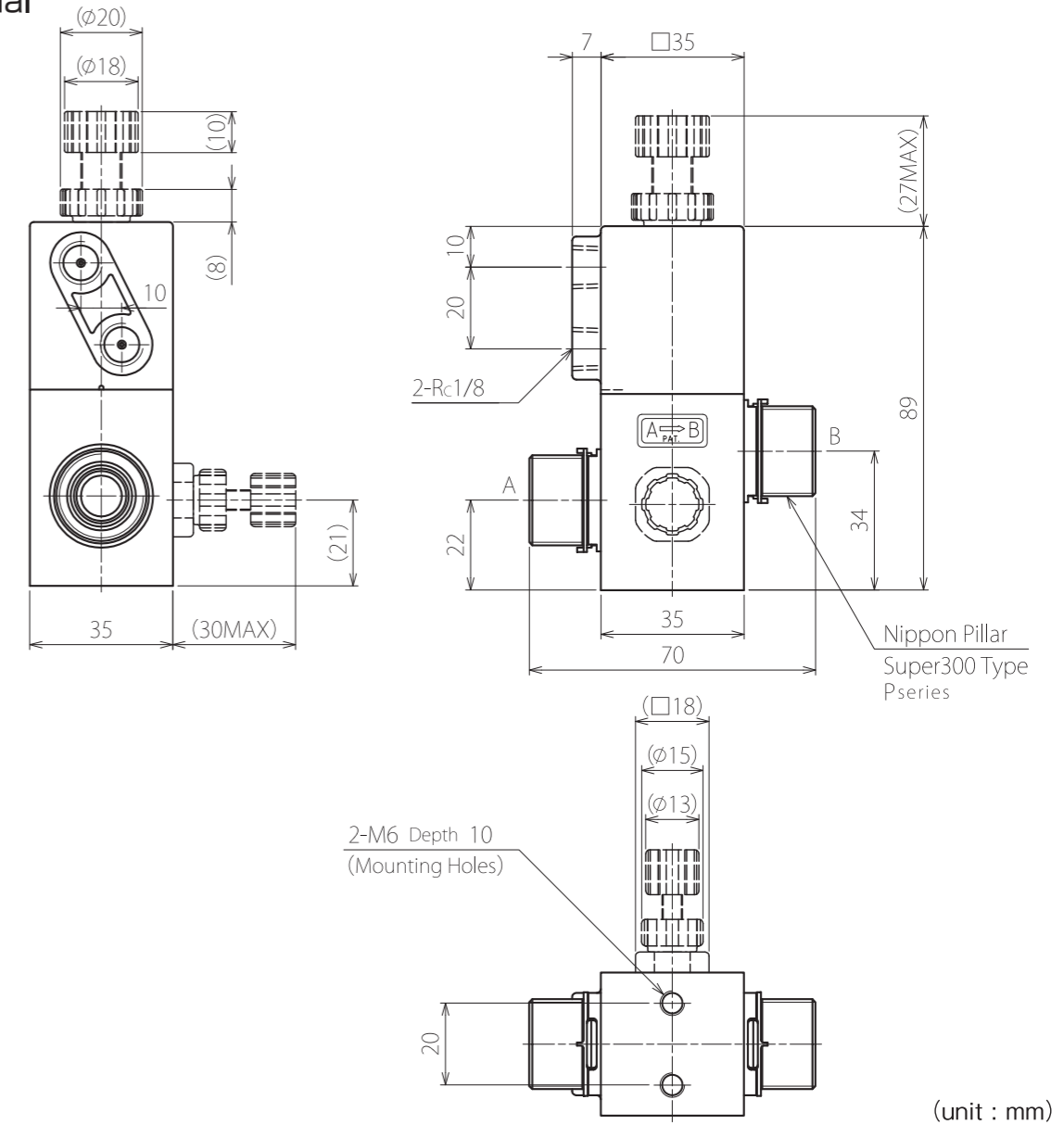


Pneumatically Actuated DIW / Chemical Valve

N*3100-4/12MCB-W*



Dimensional Drawing



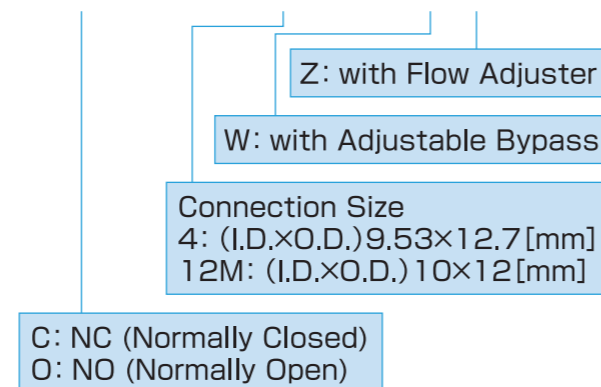
Specifications

Model Code	See Model Selection Table
Orifice Size	φ10 [mm]
Connection Size	See Model Selection Table
Cv	2.1
Applicable Media	DI Water, Corrosive Fluid
Media Pressure	A→B: 0~0.5MPa B→A: 0~0.5MPa
Media Temperature	10~100°C
Ambient Temperature	10~60°C
Operational Mode	Spring Return (Single-acting Type)
Pneumatic Pressure	0.38~0.5MPa
Wetted Material	Diaphragm: Corrosion-resistant plastic Valve Body: Corrosion-resistant plastic

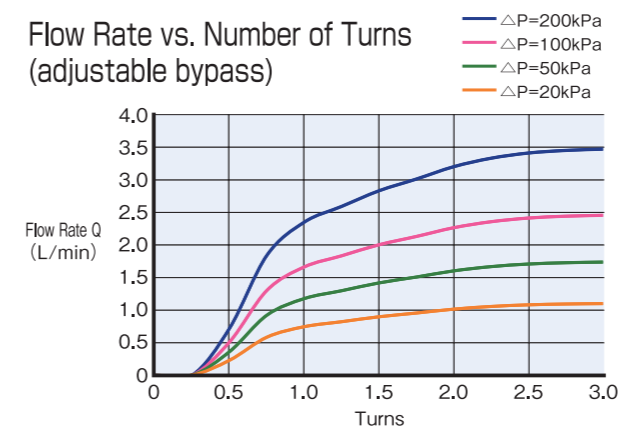
*Specifications are subject to change without notice.

Model Selection Table

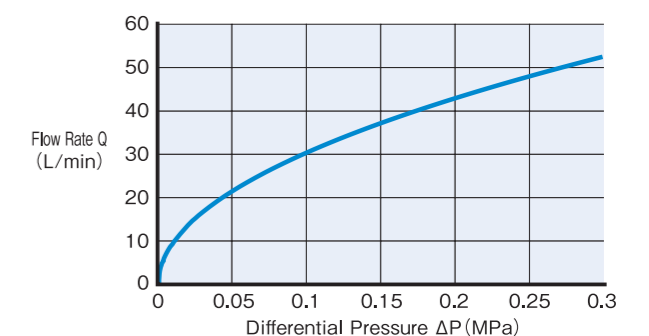
N*3100-*CB-W*



Flow Rate vs. Number of Turns (adjustable bypass)



Flow Characteristics Cv:2.1

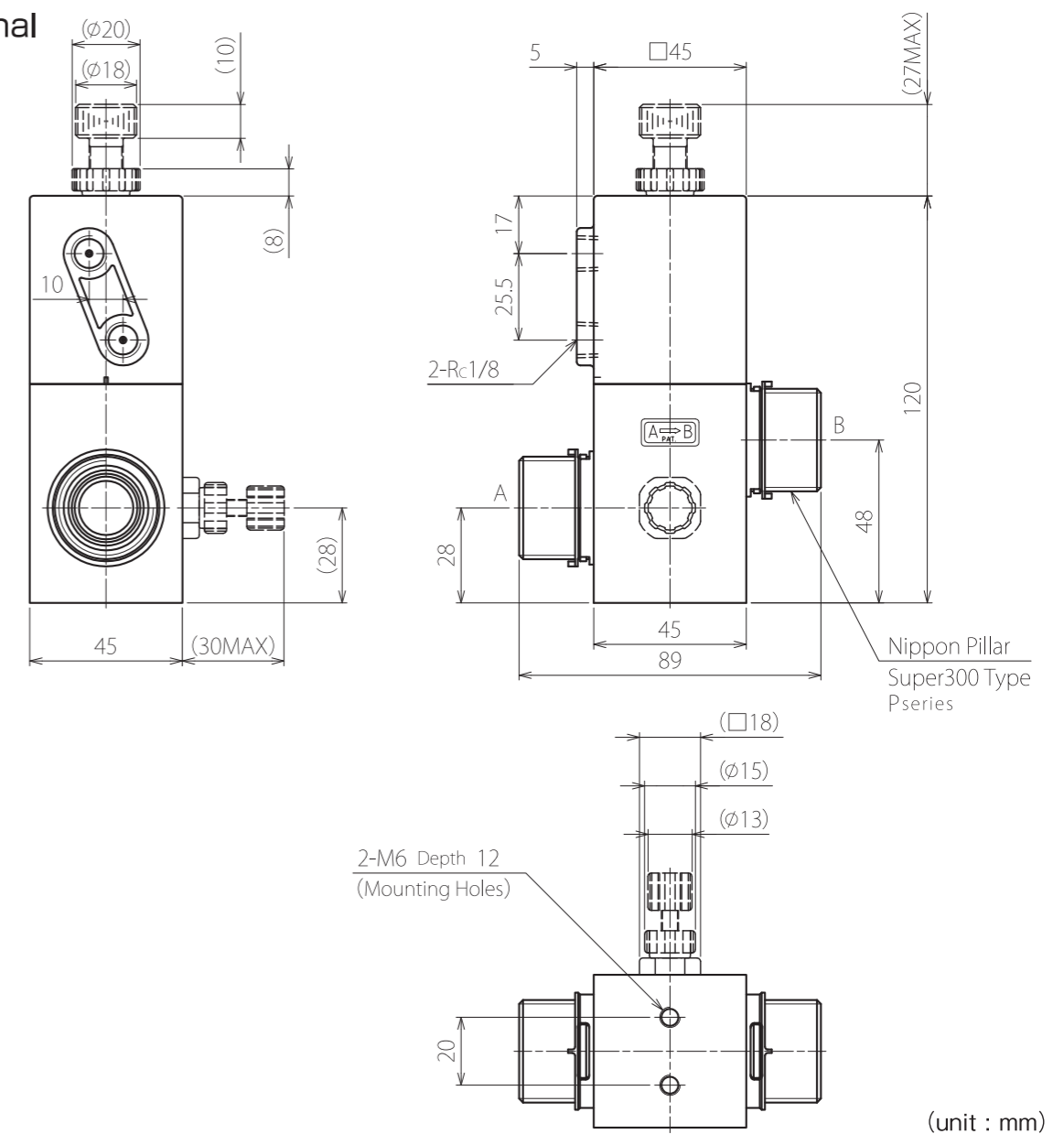


Pneumatically Actuated DIW / Chemical Valve

N*4100-6/19MCB-W*



Dimensional Drawing



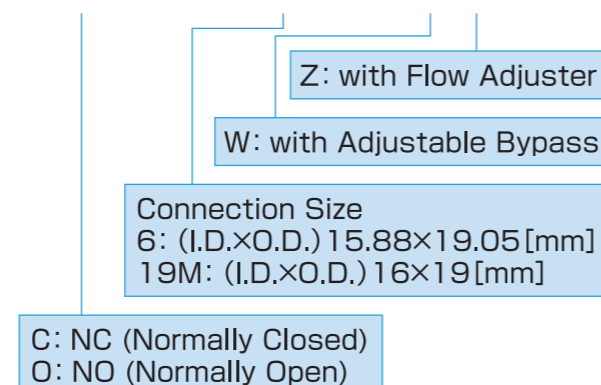
Specifications

Model Code	See Model Selection Table
Orifice Size	φ16 [mm]
Connection Size	See Model Selection Table
Cv	5.9
Applicable Media	DI Water, Corrosive Fluid
Media Pressure	A→B: 0~0.5MPa B→A: 0~0.5MPa
Media Temperature	10~100°C
Ambient Temperature	10~60°C
Operational Mode	Spring Return (Single-acting Type)
Pneumatic Pressure	0.38~0.5MPa
Wetted Material	Diaphragm: Corrosion-resistant plastic Valve Body: Corrosion-resistant plastic

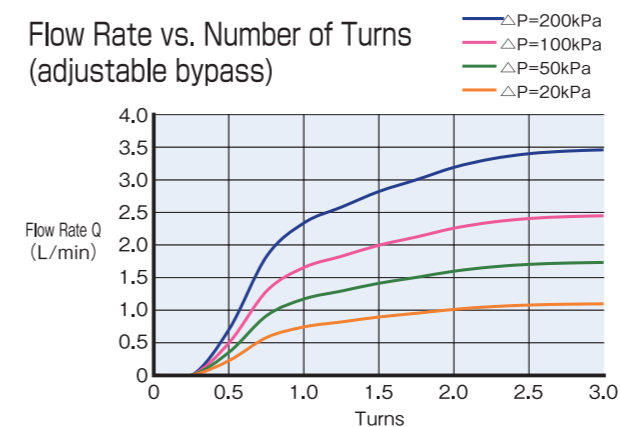
*Specifications are subject to change without notice.

Model Selection Table

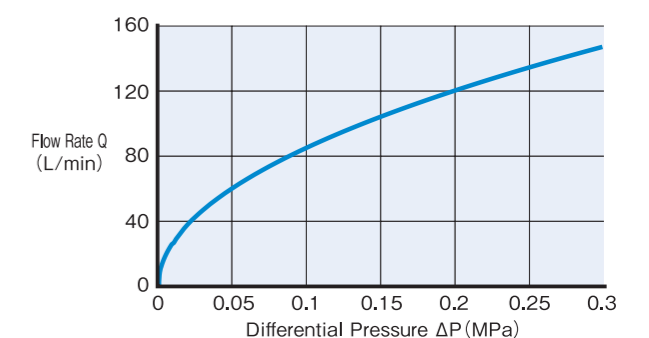
N*4100-*CB-W*



Flow Rate vs. Number of Turns (adjustable bypass)



Flow Characteristics Cv:5.9

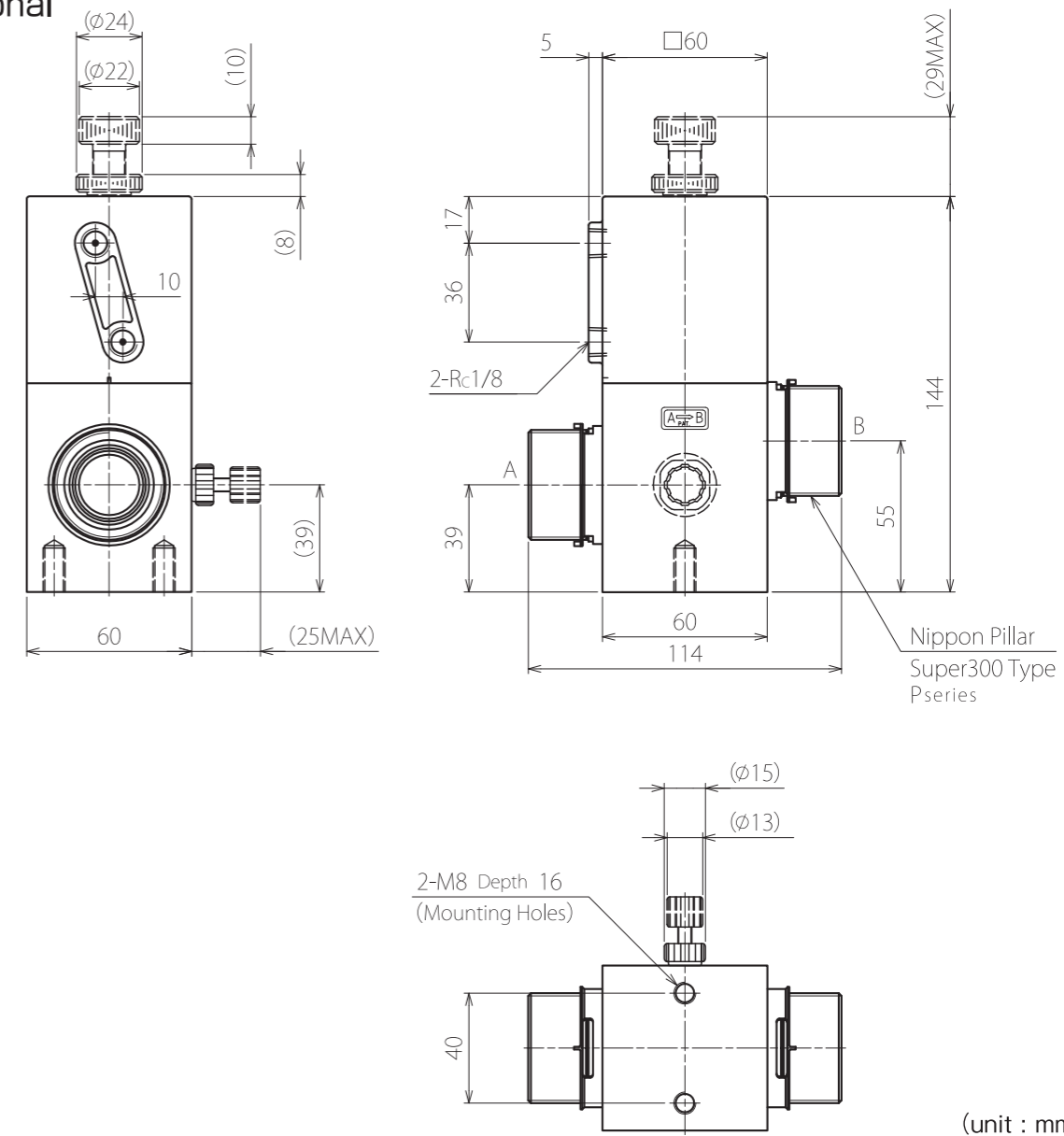


Pneumatically Actuated DIW / Chemical Valve

N*6100-8/25MCB-W*



Dimensional Drawing



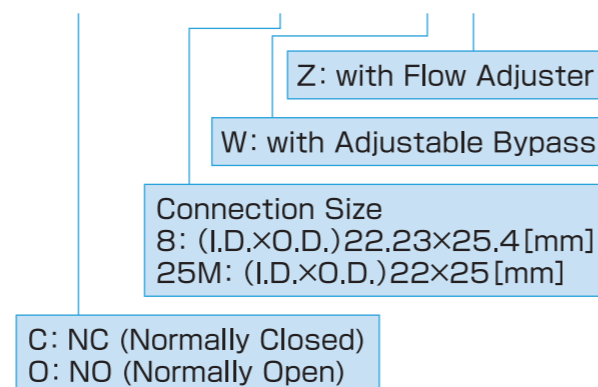
Specifications

Model Code	See Model Selection Table
Orifice Size	φ22 [mm]
Connection Size	See Model Selection Table
Cv	9.6
Applicable Media	DI Water, Corrosive Fluid
Media Pressure	A→B: 0~0.5MPa B→A: 0~0.5MPa
Media Temperature	10~100°C
Ambient Temperature	10~60°C
Operational Mode	Spring Return (Single-acting Type)
Pneumatic Pressure	0.38~0.5MPa
Wetted Material	Diaphragm: Corrosion-resistant plastic Valve Body: Corrosion-resistant plastic

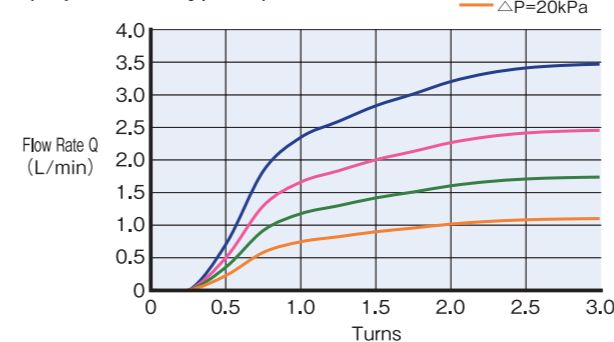
*Specifications are subject to change without notice.

Model Selection Table

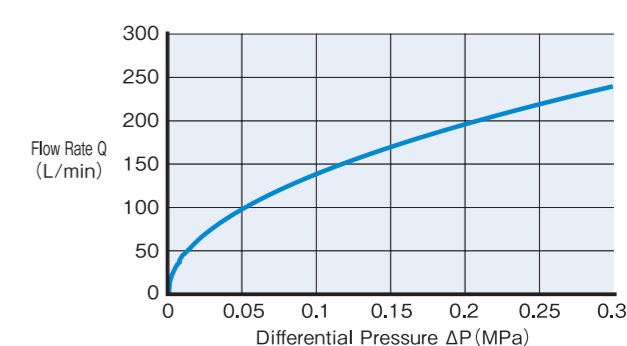
N*6100-*CB-W*



Flow Rate vs. Number of Turns (adjustable bypass)



Flow Characteristics Cv:9.6



Toggle Actuated DIW / Chemical Valve

T26*S-2A/6MCB



Specifications

Model Code	See Model Selection Table
Orifice Size	φ4 [mm]
Connection Size	See Model Selection Table
Cv	0.34
Applicable Media	DI Water, Corrosive Fluid
Media Pressure	A→B: 0~0.5MPa B→A: 0~0.5MPa
Media Temperature	10~100°C
Ambient Temperature	10~60°C
Wetted Material	Diaphragm: Corrosion-resistant plastic Valve Body: Corrosion-resistant plastic

*Specifications are subject to change without notice.

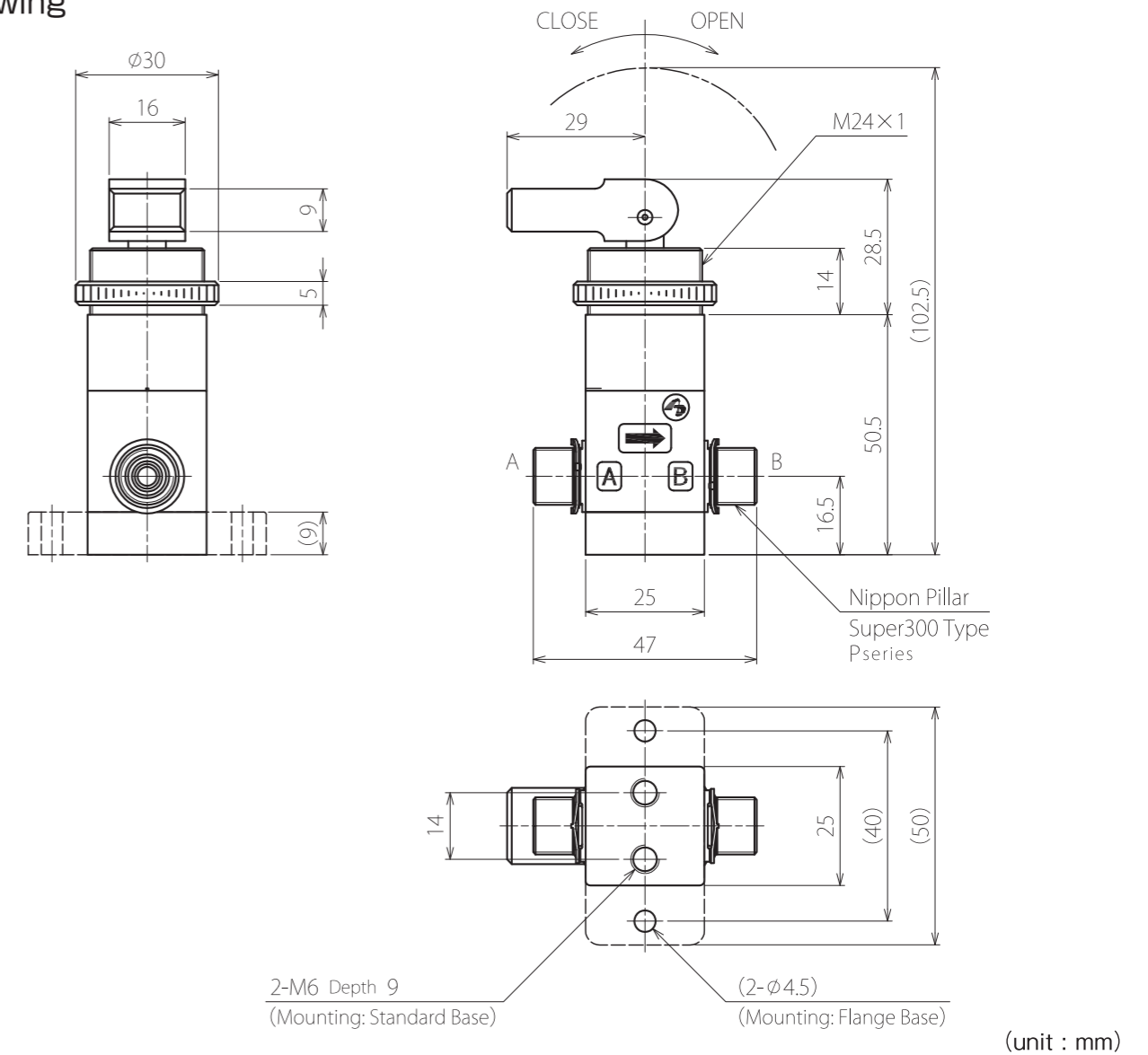
Model Selection Table

T26*S-*CB

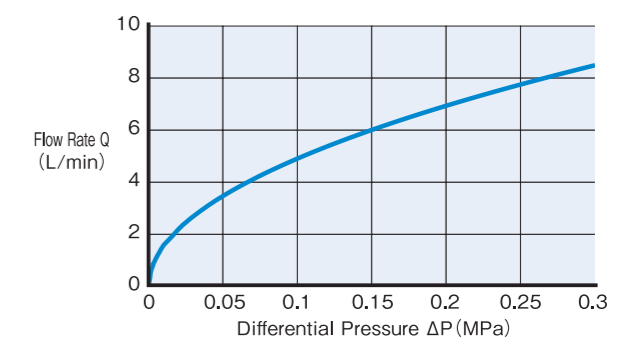
Connection Size
2A: (I.D.×O.D.) 3.97×6.35 [mm]
6M: (I.D.×O.D.) 4×6 [mm]

Installation Method
O: Standard Base
9: Flange Base

Dimensional Drawing



Flow Characteristics Cv:0.34



Toggle Actuated DIW / Chemical Valve

T26*S-8MCB



Specifications

Model Code	See Model Selection Table
Orifice Size	φ6[mm]
Connection Size	(I.D.×O.D.) 6×8[mm]
Cv	0.72
Applicable Media	DI Water, Corrosive Fluid
Media Pressure	A→B: 0~0.5MPa B→A: 0~0.5MPa
Media Temperature	10~100°C
Ambient Temperature	10~60°C
Wetted Material	Diaphragm: Corrosion-resistant plastic Valve Body: Corrosion-resistant plastic

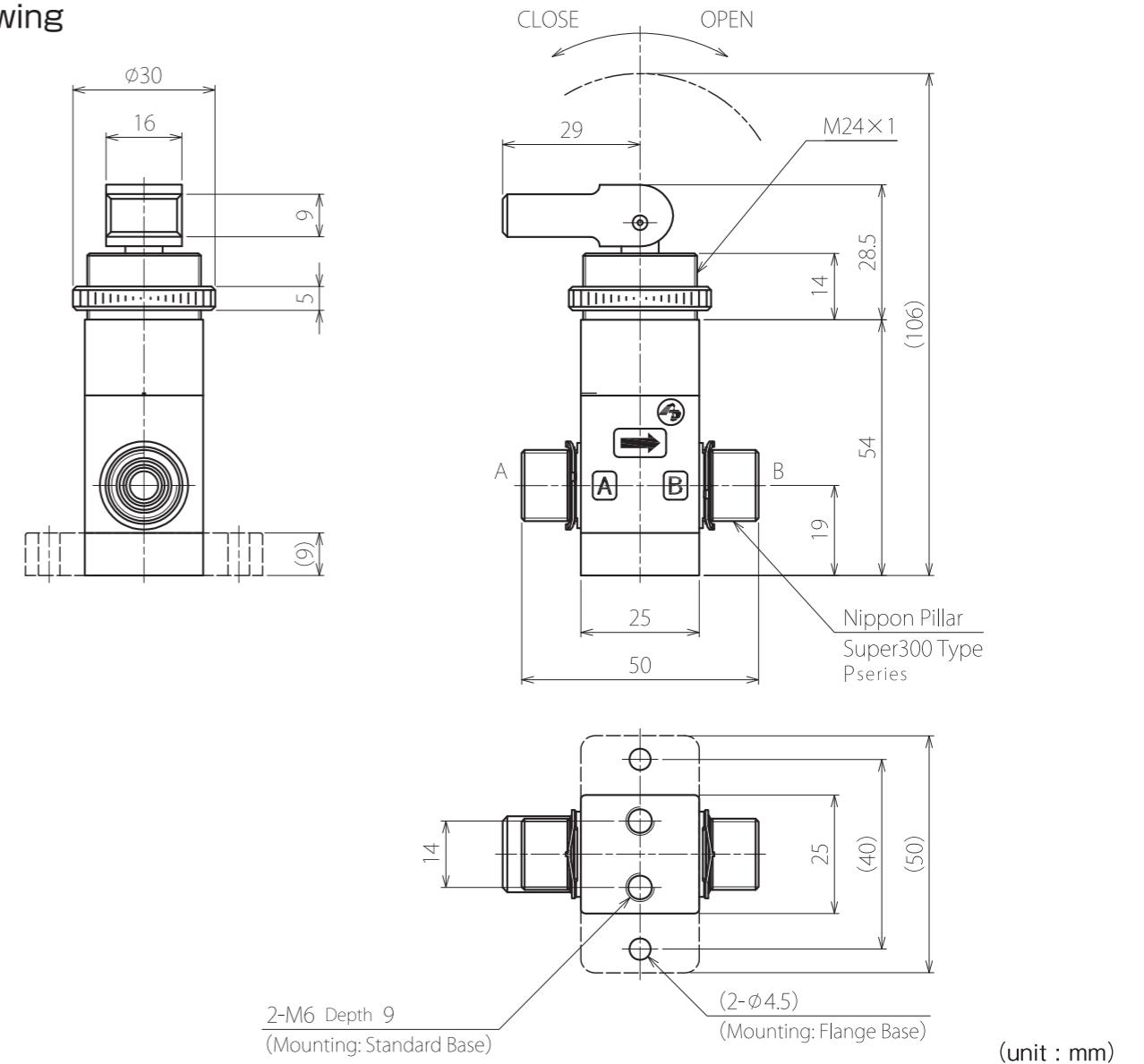
*Specifications are subject to change without notice.

Model Selection Table

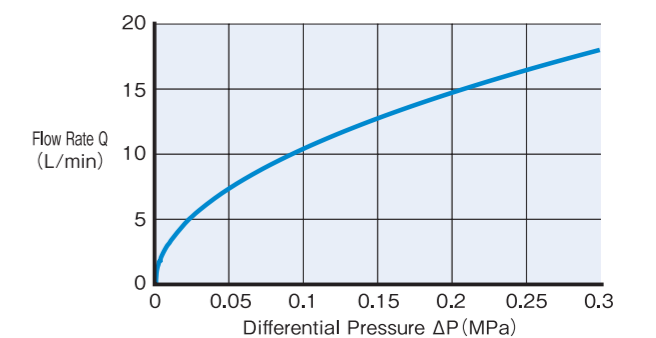
T26*S-8MCB

Installation Method
0: Standard Base
9: Flange Base

Dimensional Drawing



Flow Characteristics Cv:0.72



Toggle Actuated DIW / Chemical Valve

T26*S-3/10MCB



Specifications

Model Code	See Model Selection Table
Orifice Size	φ6[mm]
Connection Size	See Model Selection Table
Cv	0.73
Applicable Media	DI Water, Corrosive Fluid
Media Pressure	A→B: 0~0.5MPa
	B→A: 0~0.5MPa
Media Temperature	10~100°C
Ambient Temperature	10~60°C
Wetted Material	Diaphragm: Corrosion-resistant plastic
	Valve Body: Corrosion-resistant plastic

*Specifications are subject to change without notice.

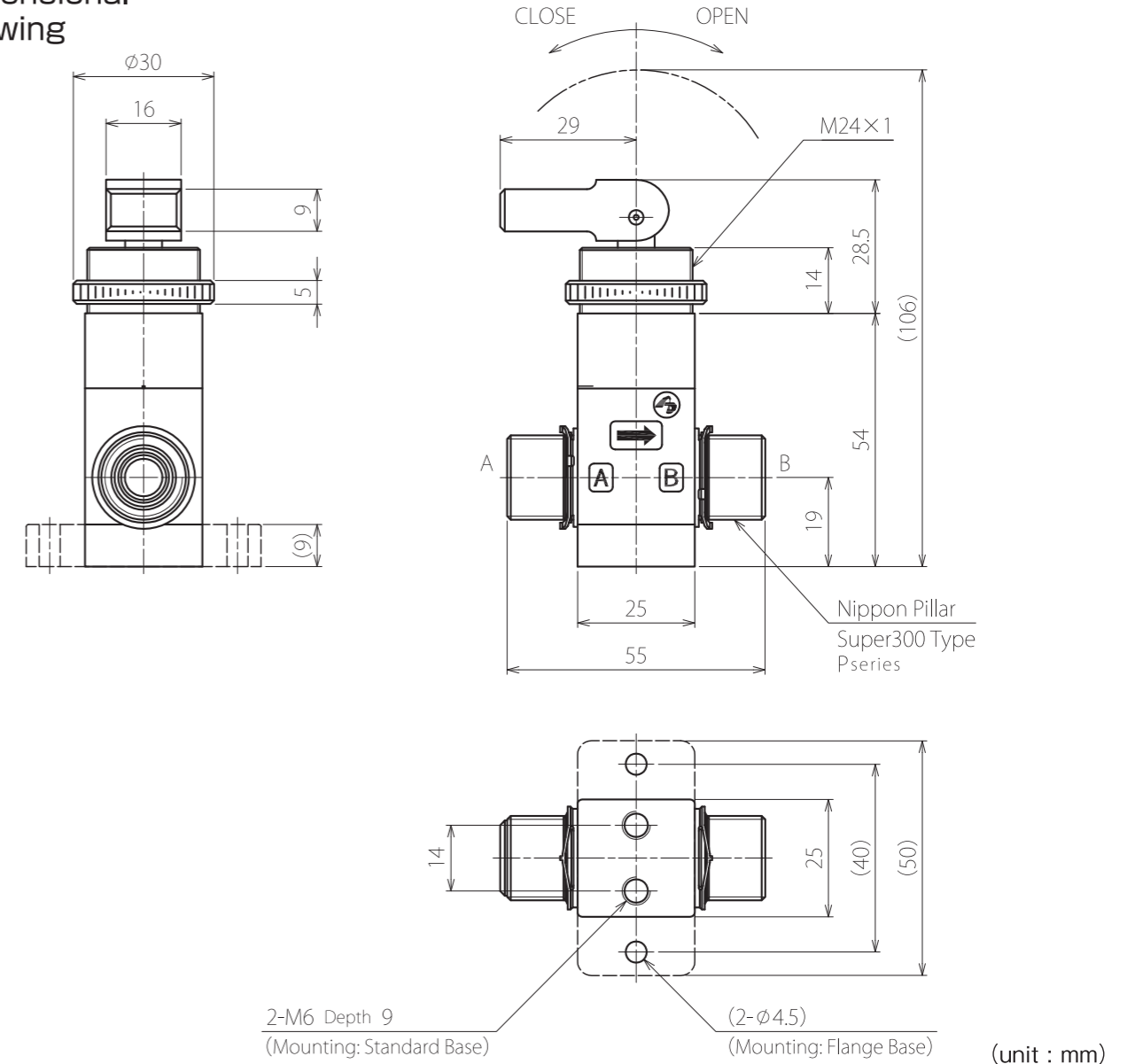
Model Selection Table

T26*S-*CB

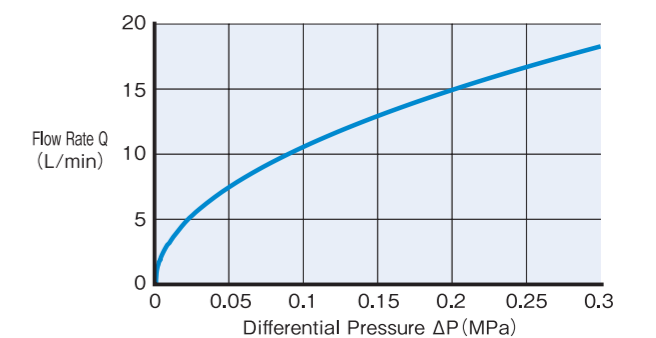
Connection Size
3: (I.D.×O.D.)6.35×9.53[mm]
10M: (I.D.×O.D.)8×10[mm]

Installation Method
0: Standard Base
9: Flange Base

Dimensional Drawing



Flow Characteristics Cv:0.73



Toggle Actuated DIW / Chemical Valve

T36*S-4/12MCB



Specifications

Model Code	See Model Selection Table
Orifice Size	φ10 [mm]
Connection Size	See Model Selection Table
Cv	2.0
Applicable Media	DI Water, Corrosive Fluid
Media Pressure	A→B: 0~0.5MPa
	B→A: 0~0.5MPa
Media Temperature	10~100°C
Ambient Temperature	10~60°C
Wetted Material	Diaphragm: Corrosion-resistant plastic
	Valve Body: Corrosion-resistant plastic

*Specifications are subject to change without notice.

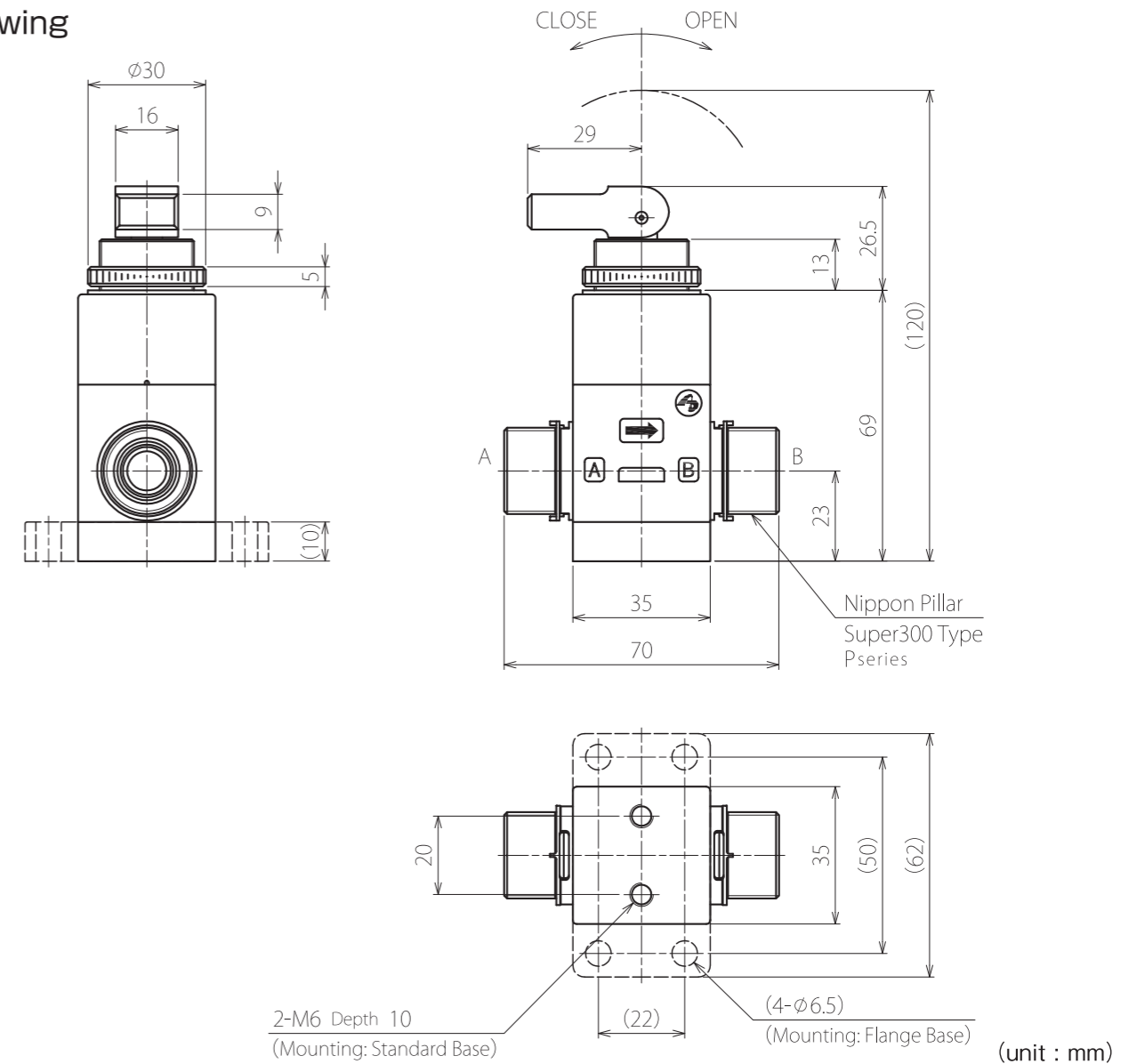
Model Selection Table

T36*S-*CB

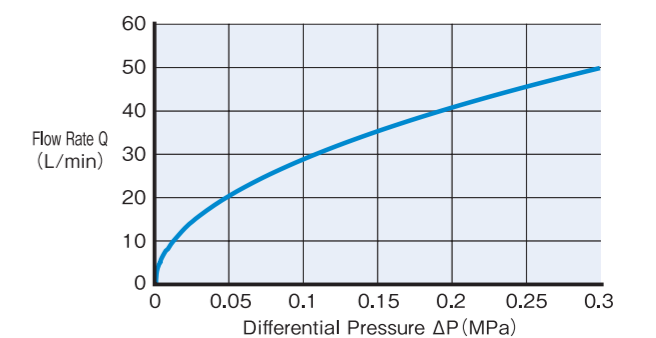
Connection Size
4: (I.D.×O.D.) 9.53×12.7 [mm]
12M: (I.D.×O.D.) 10×12 [mm]

Installation Method
0: Standard Base
9: Flange Base

Dimensional Drawing



Flow Characteristics Cv:2.0

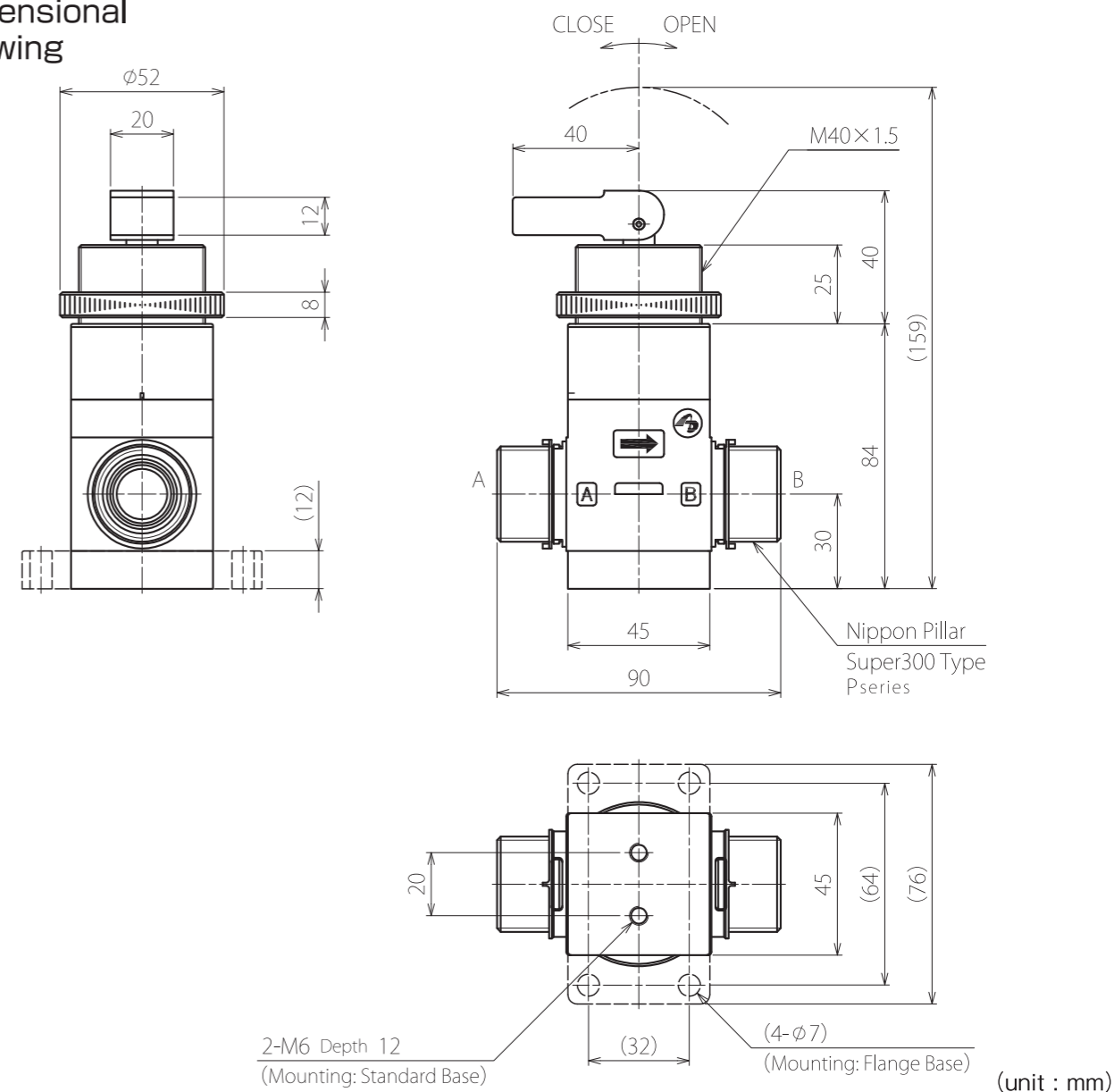


Toggle Actuated DIW / Chemical Valve

T46*S-6/19MCB



Dimensional Drawing



Specifications

Model Code	See Model Selection Table
Orifice Size	φ16 [mm]
Connection Size	See Model Selection Table
Cv	5.1
Applicable Media	DI Water, Corrosive Fluid
Media Pressure	A→B: 0~0.5MPa
	B→A: 0~0.5MPa
Media Temperature	10~100°C
Ambient Temperature	10~60°C
Wetted Material	Diaphragm: Corrosion-resistant plastic
	Valve Body: Corrosion-resistant plastic

*Specifications are subject to change without notice.

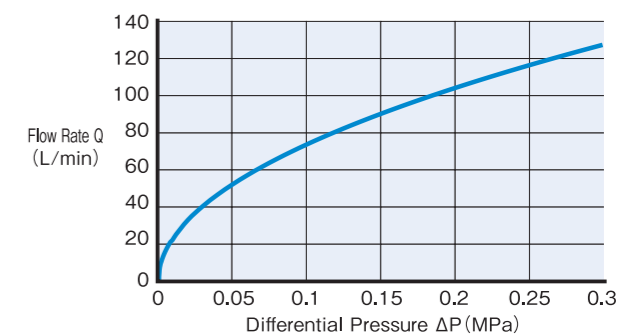
Model Selection Table

T46*S-*CB

Connection Size
6: (I.D.×O.D.) 15.88×19.05 [mm]
19M: (I.D.×O.D.) 16×19 [mm]

Installation Method
0: Standard Base
9: Flange Base

Flow Characteristics Cv:5.1



Toggle Actuated DIW / Chemical Valve

T66*S-8/25MCB-01



Specifications

Model Code	See Model Selection Table
Orifice Size	φ22 [mm]
Connection Size	See Model Selection Table
Cv	9.6
Applicable Media	DI Water, Corrosive Fluid
Media Pressure	A→B: 0~0.5MPa
	B→A: 0~0.5MPa
Media Temperature	10~100°C
Ambient Temperature	10~60°C
Wetted Material	Diaphragm: Corrosion-resistant plastic
	Valve Body: Corrosion-resistant plastic

*Specifications are subject to change without notice.

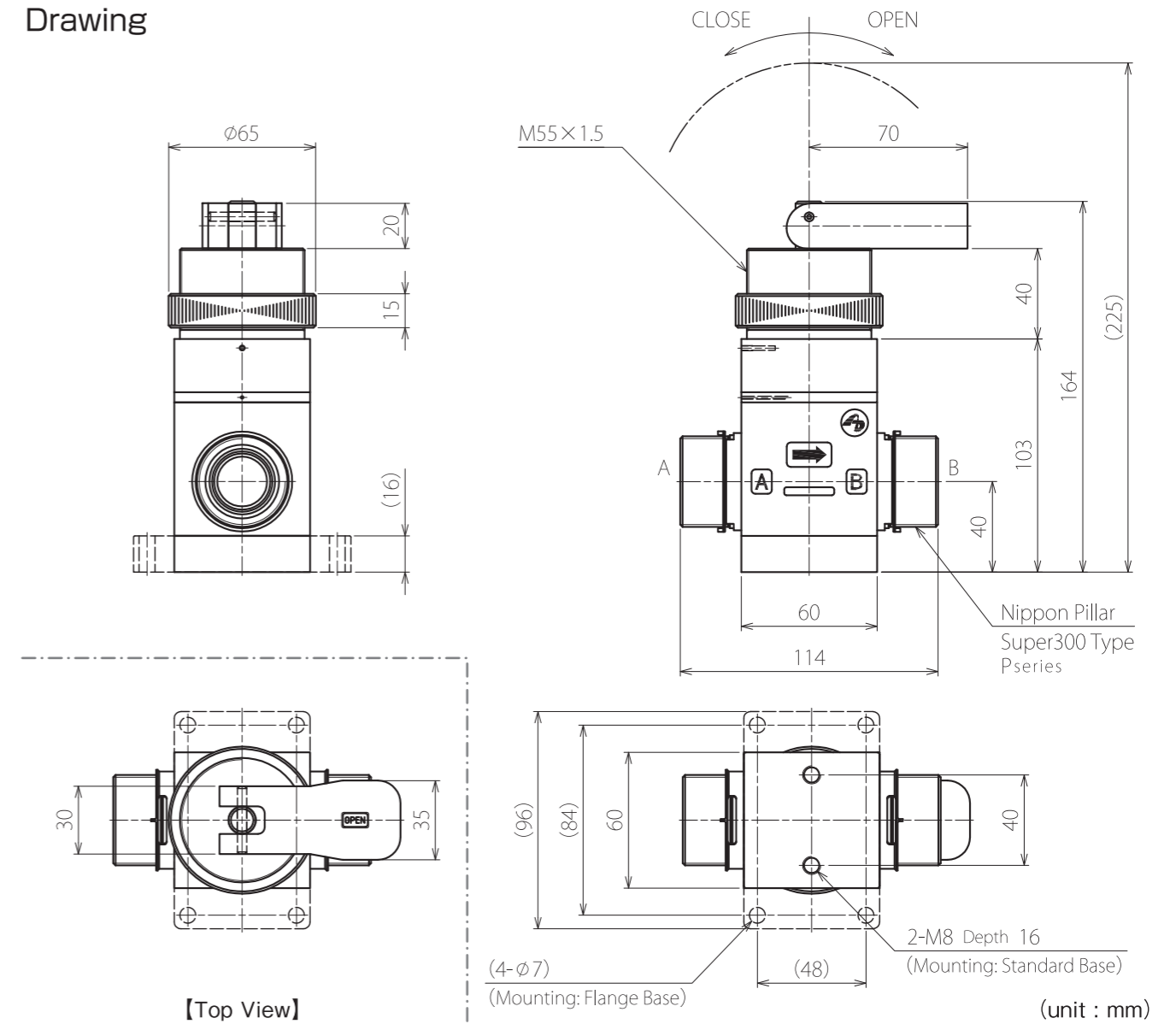
Model Selection Table

T66*S-*CB-01

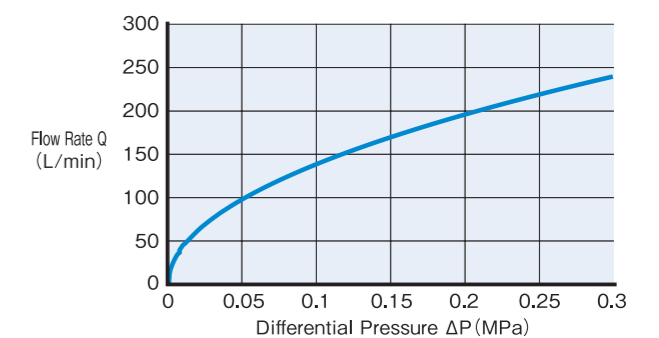
Connection Size
8: (I.D.×O.D.)22.23×25.4 [mm]
25M: (I.D.×O.D.)22×25 [mm]

Installation Method
0: Standard Base
9: Flange Base

Dimensional Drawing



Flow Characteristics Cv:9.6

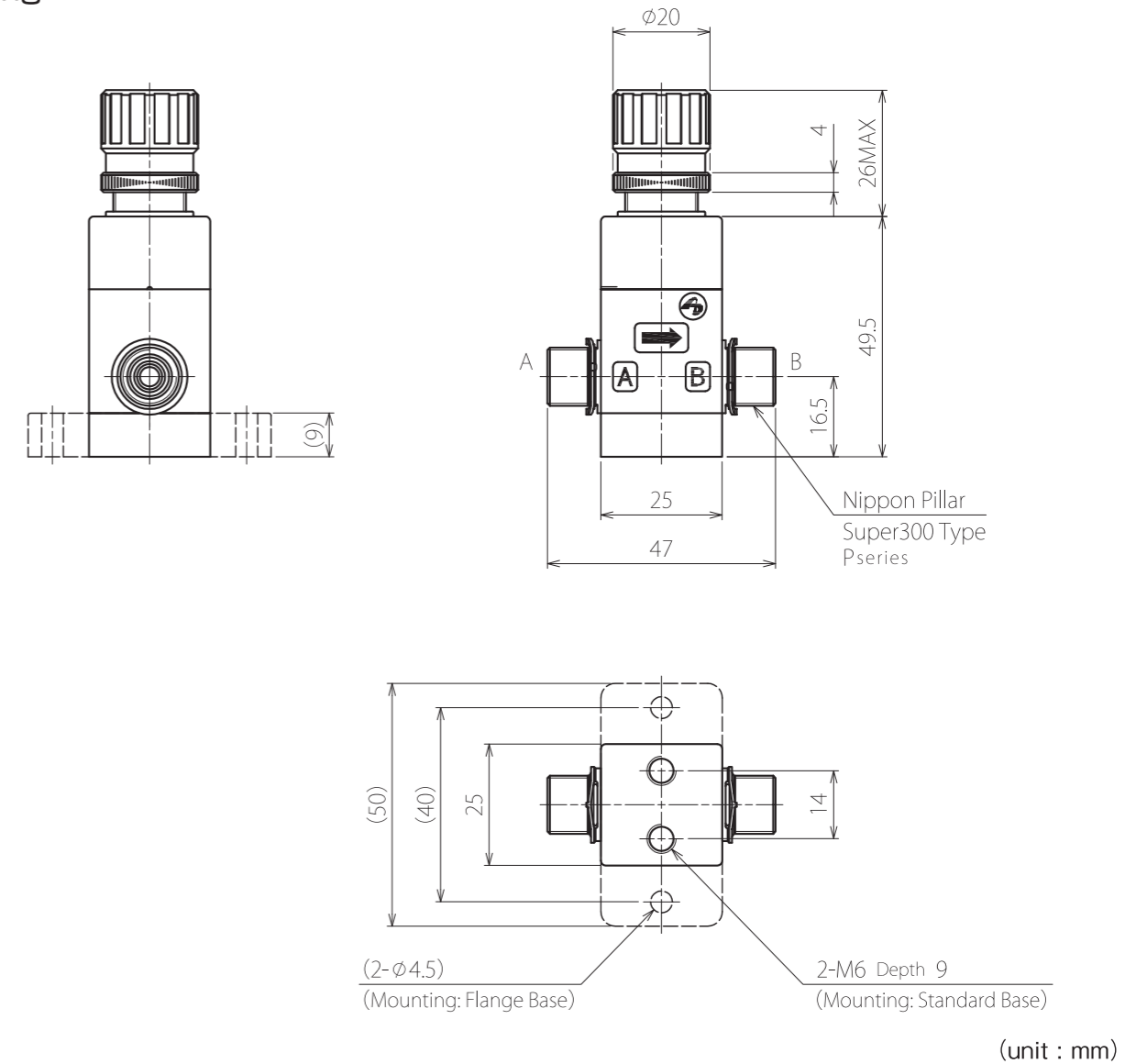


Multi-turn Actuated DIW / Chemical Valve

M26*S-2A/6MCB



Dimensional Drawing



Specifications

Model Code	See Model Selection Table
Orifice Size	$\phi 4$ [mm]
Connection Size	See Model Selection Table
Cv	0.34
Applicable Media	DI Water, Corrosive Fluid
Media Pressure	A→B: 0~0.5MPa B→A: 0~0.5MPa
Media Temperature	10~100°C
Ambient Temperature	10~60°C
Wetted Material	Diaphragm: Corrosion-resistant plastic Valve Body: Corrosion-resistant plastic

*Specifications are subject to change without notice.

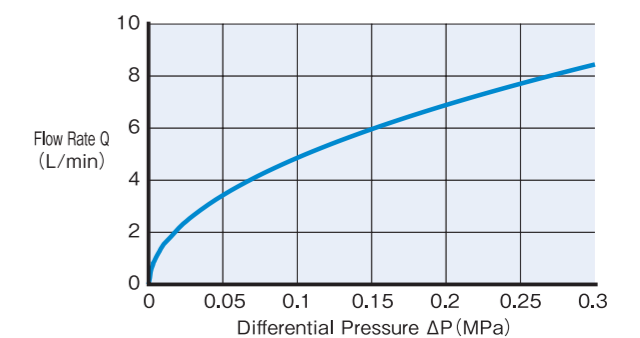
Model Selection Table

M26*S-*CB

Connection Size
2A: (I.D.×O.D.)3.97×6.35 [mm]
6M: (I.D.×O.D.)4×6 [mm]

Installation Method
O: Standard Base
9: Flange Base

Flow Characteristics Cv:0.34

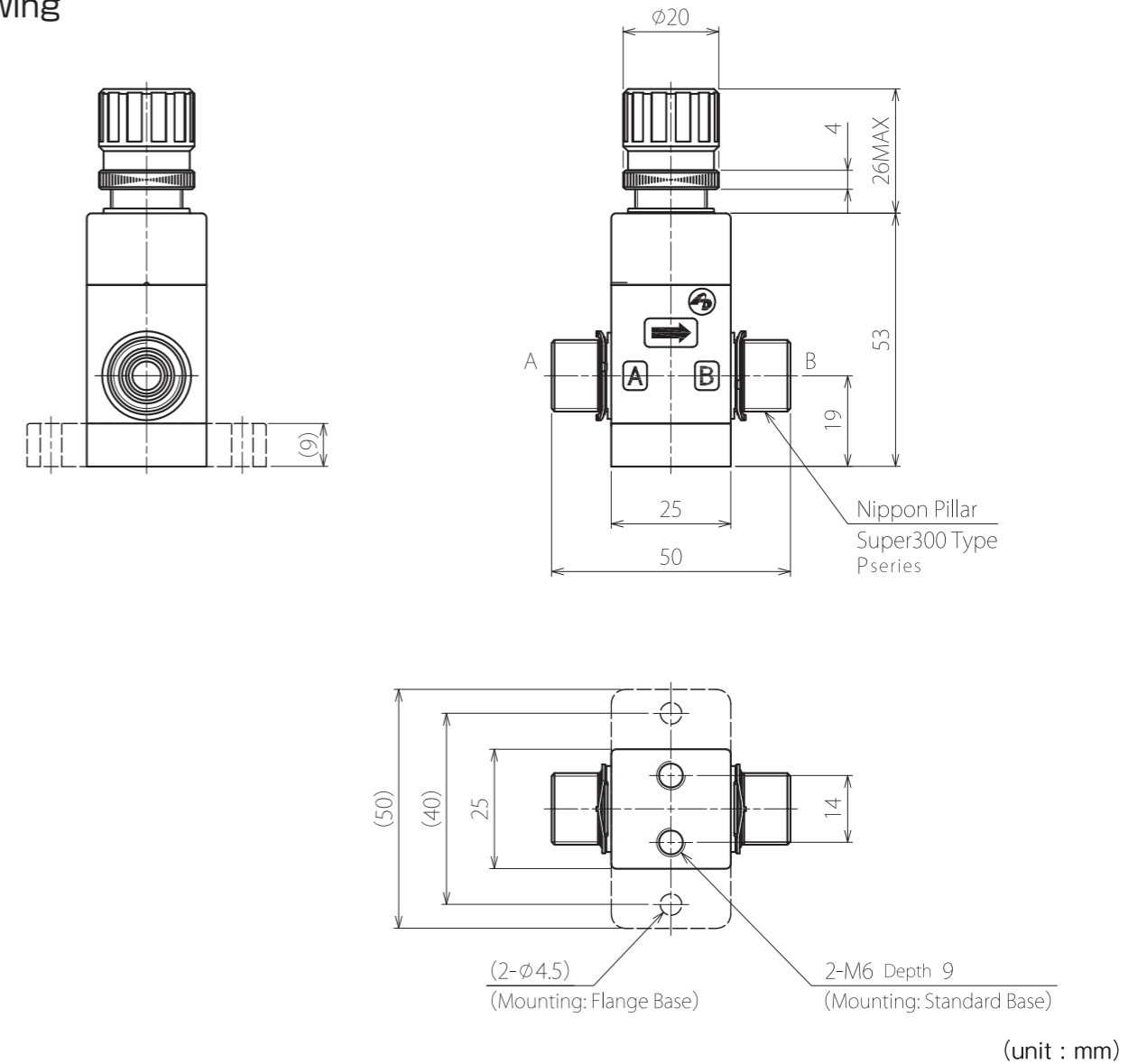


Multi-turn Actuated DIW / Chemical Valve

M26*S-8MCB



Dimensional Drawing



Specifications

Model Code	See Model Selection Table
Orifice Size	φ6 [mm]
Connection Size	(I.D.×O.D.) 6×8 [mm]
Cv	0.72
Applicable Media	DI Water, Corrosive Fluid
Media Pressure	A→B: 0~0.5MPa
	B→A: 0~0.5MPa
Media Temperature	10~100°C
Ambient Temperature	10~60°C
Wetted Material	Diaphragm: Corrosion-resistant plastic
	Valve Body: Corrosion-resistant plastic

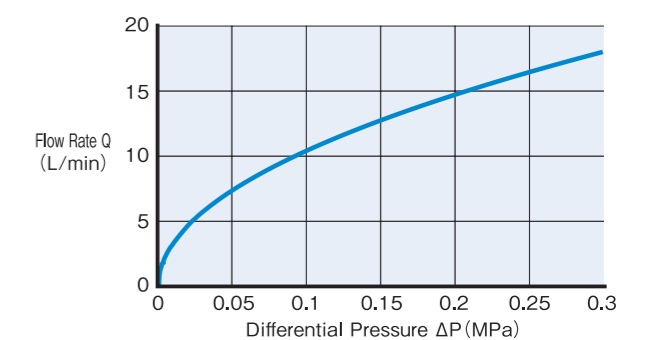
*Specifications are subject to change without notice.

Model Selection Table

M26*S-8MCB

Installation Method
0: Standard Base
9: Flange Base

Flow Characteristics Cv:0.72

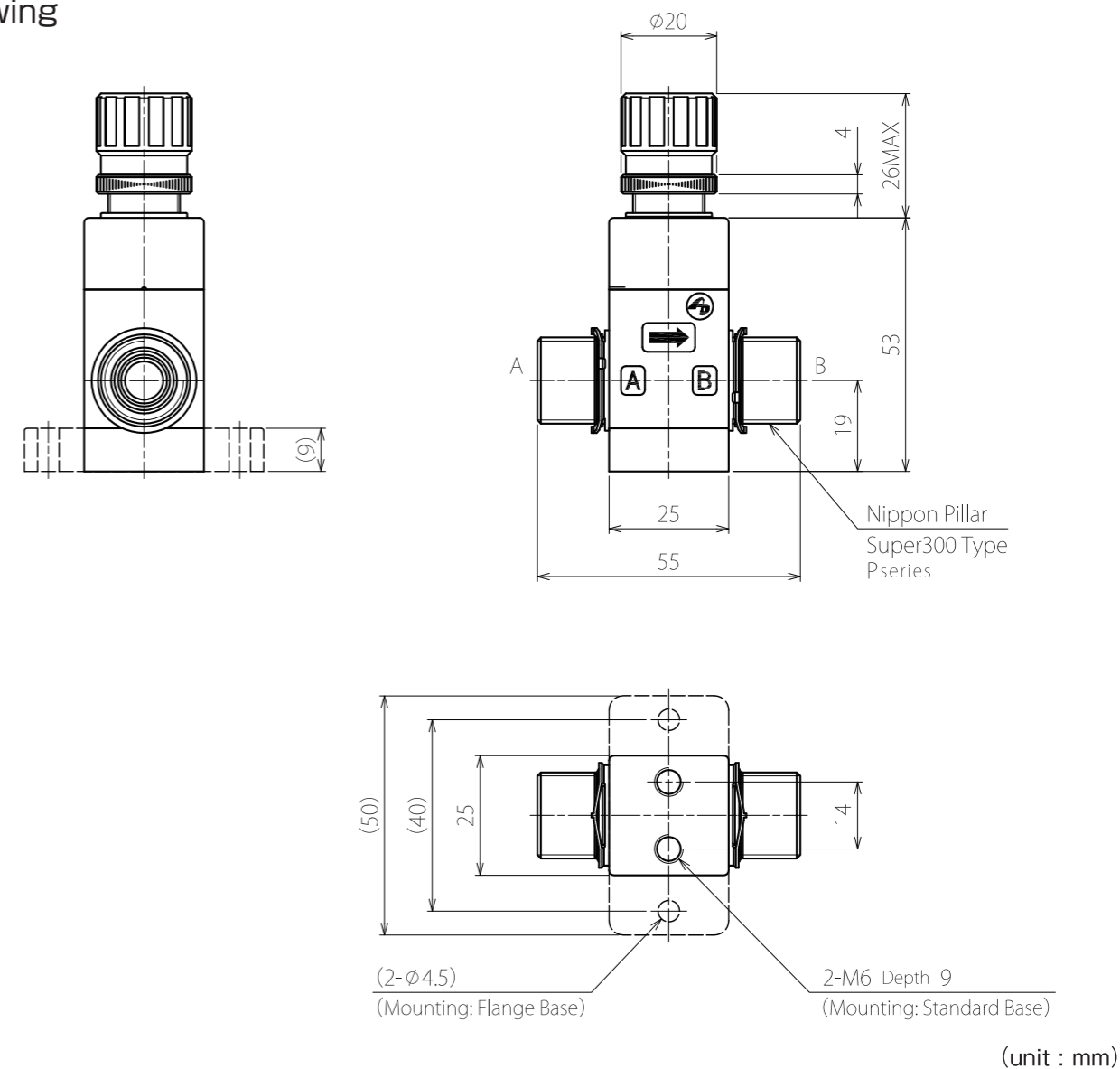


Multi-turn Actuated DIW / Chemical Valve

M26*S-3/10MCB



Dimensional Drawing



Specifications

Model Code	See Model Selection Table
Orifice Size	φ6[mm]
Connection Size	See Model Selection Table
Cv	0.73
Applicable Media	DI Water, Corrosive Fluid
Media Pressure	A→B: 0~0.5MPa
	B→A: 0~0.5MPa
Media Temperature	10~100°C
Ambient Temperature	10~60°C
Wetted Material	Diaphragm: Corrosion-resistant plastic
	Valve Body: Corrosion-resistant plastic

*Specifications are subject to change without notice.

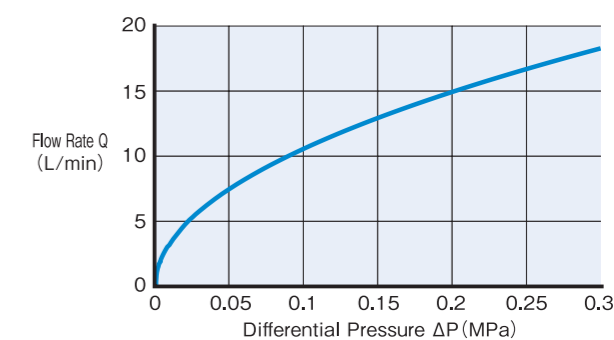
Model Selection Table

M26*S-*CB

Connection Size
3: (I.D.×O.D.)6.35×9.53[mm]
10M: (I.D.×O.D.)8×10[mm]

Installation Method
0: Standard Base
9: Flange Base

Flow Characteristics Cv:0.73



Multi-turn Actuated DIW / Chemical Valve

M36*S-4/12MCB



Specifications

Model Code	See Model Selection Table
Orifice Size	φ10 [mm]
Connection Size	See Model Selection Table
Cv	2.0
Applicable Media	DI Water, Corrosive Fluid
Media Pressure	A→B: 0~0.5MPa B→A: 0~0.5MPa
Media Temperature	10~100°C
Ambient Temperature	10~60°C
Wetted Material	Diaphragm: Corrosion-resistant plastic Valve Body: Corrosion-resistant plastic

*Specifications are subject to change without notice.

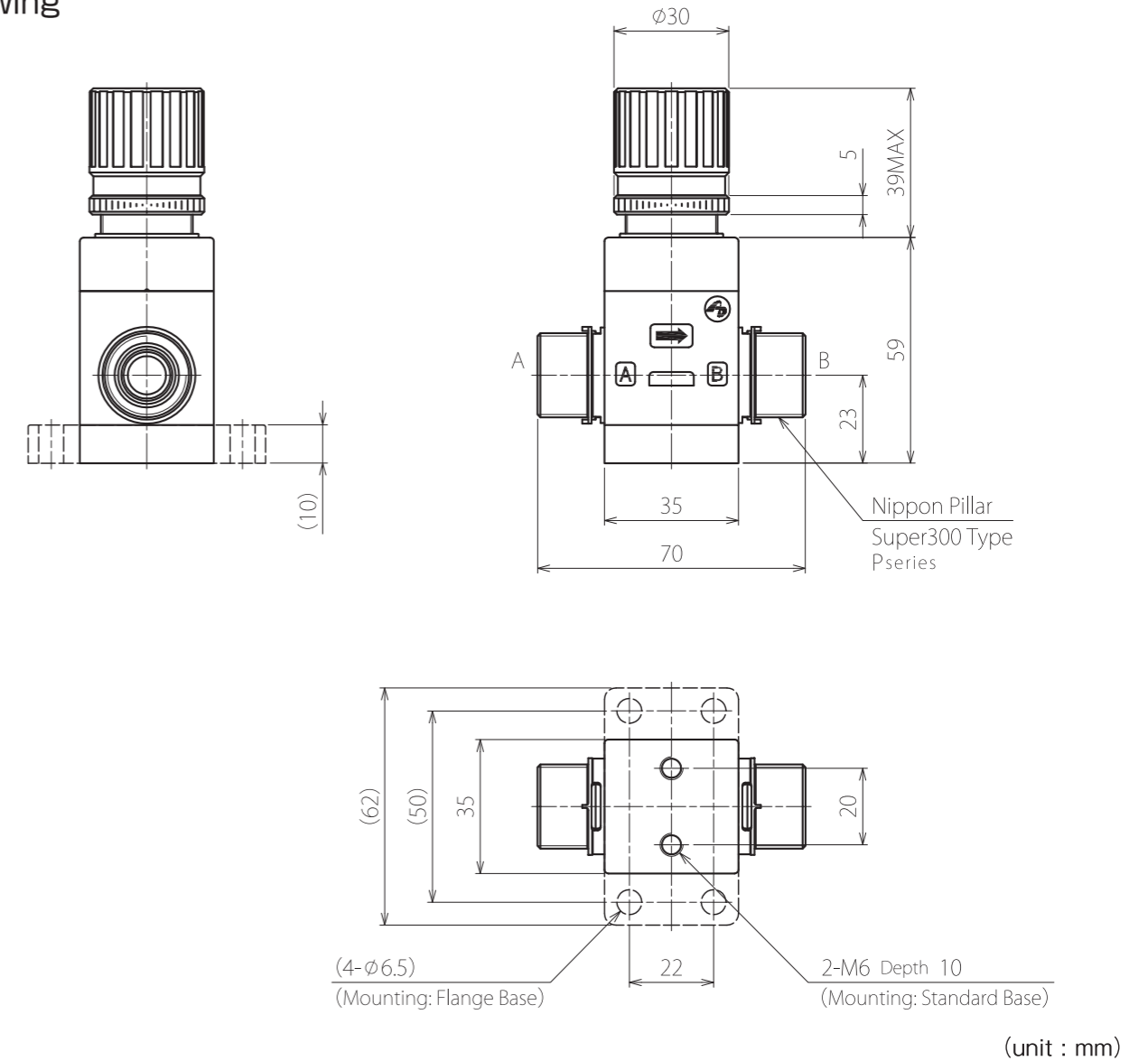
Model Selection Table

M36*S-*CB

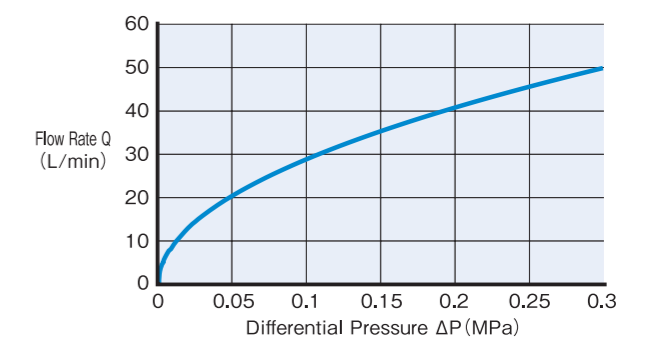
Connection Size
4: (I.D.×O.D.) 9.53×12.7 [mm]
12M: (I.D.×O.D.) 10×12 [mm]

Installation Method
0: Standard Base
9: Flange Base

Dimensional Drawing



Flow Characteristics Cv:2.0

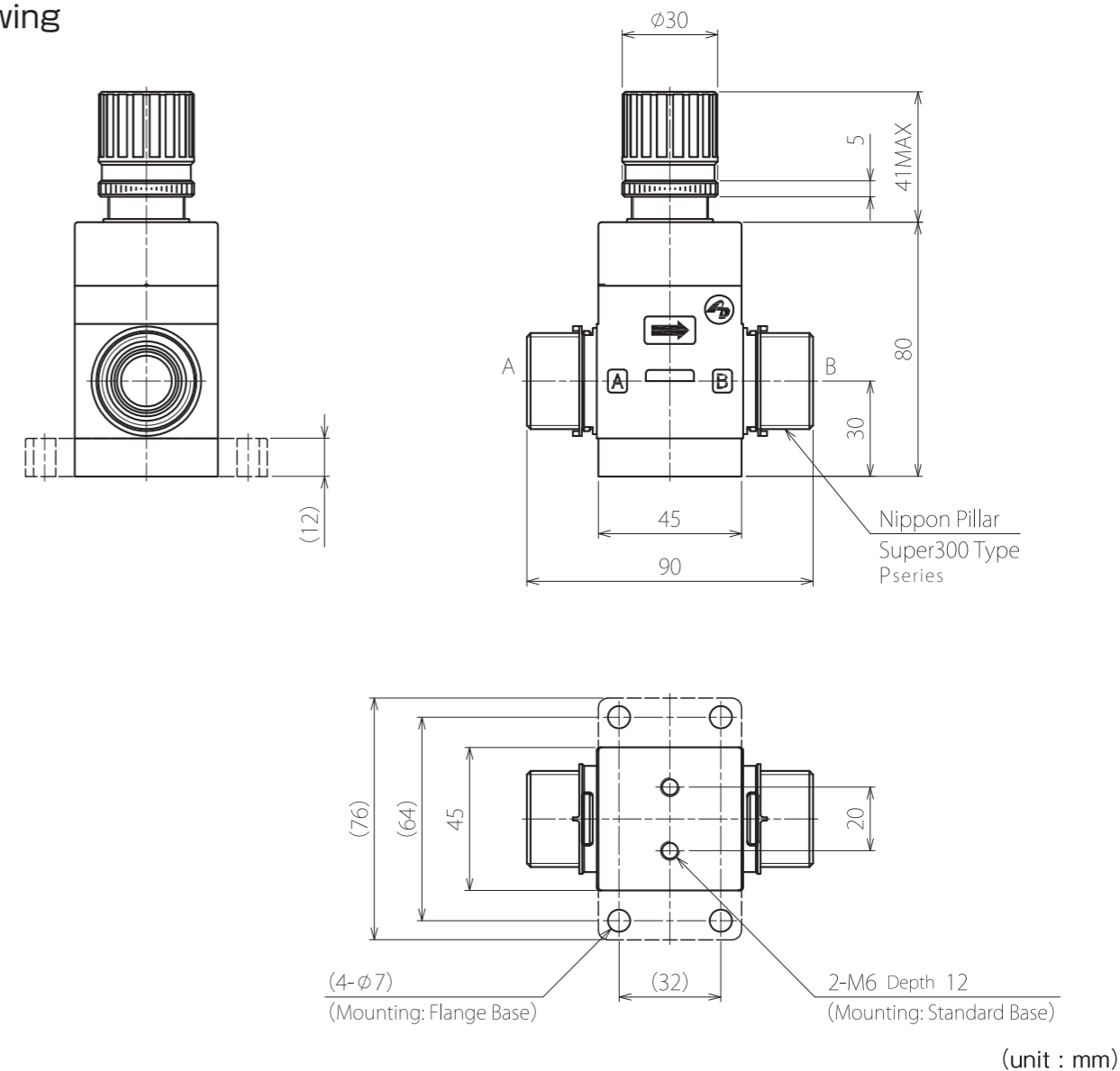


Multi-turn Actuated DIW / Chemical Valve

M46*S-6/19MCB



Dimensional Drawing



Specifications

Model Code	See Model Selection Table
Orifice Size	$\phi 16$ [mm]
Connection Size	See Model Selection Table
Cv	5.1
Applicable Media	DI Water, Corrosive Fluid
Media Pressure	A→B: 0~0.5MPa B→A: 0~0.5MPa
Media Temperature	10~100°C
Ambient Temperature	10~60°C
Wetted Material	Diaphragm: Corrosion-resistant plastic Valve Body: Corrosion-resistant plastic

*Specifications are subject to change without notice.

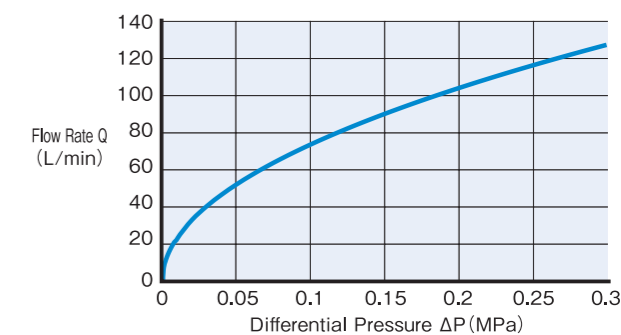
Model Selection Table

M46*S-*CB

Connection Size
6: (I.D.XO.D.) 15.88×19.05 [mm]
19M: (I.D.XO.D.) 16×19 [mm]

Installation Method
0: Standard Base
9: Flange Base

Flow Characteristics Cv:5.1

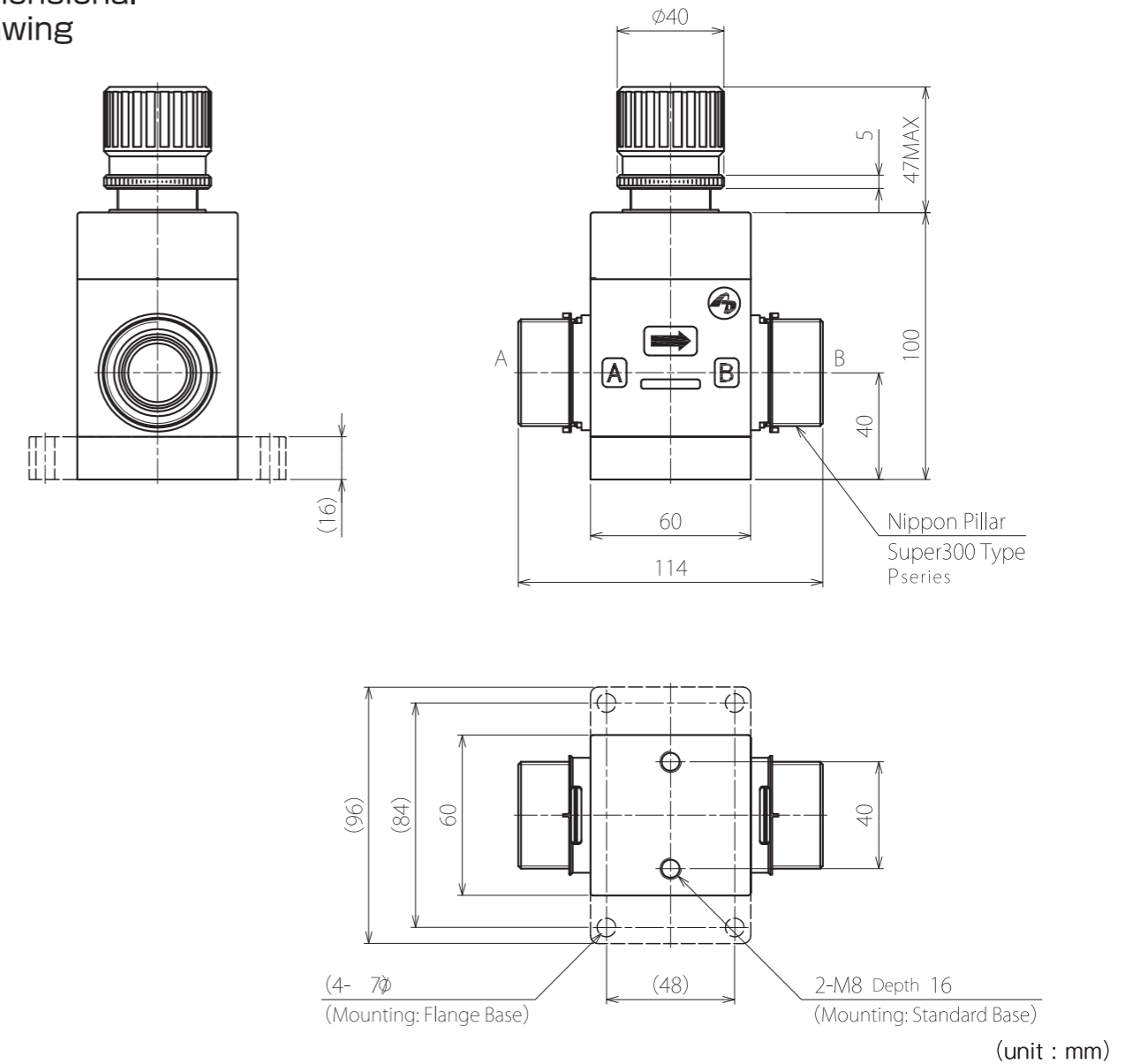


Multi-turn Actuated DIW / Chemical Valve

M66*S-8/25MCB



Dimensional Drawing



Specifications

Model Code	See Model Selection Table
Orifice Size	φ22 [mm]
Connection Size	See Model Selection Table
Cv	9.6
Applicable Media	DI Water, Corrosive Fluid
Media Pressure	A→B: 0~0.5MPa
	B→A: 0~0.5MPa
Media Temperature	10~100°C
Ambient Temperature	10~60°C
Wetted Material	Diaphragm: Corrosion-resistant plastic
	Valve Body: Corrosion-resistant plastic

*Specifications are subject to change without notice.

Model Selection Table

M66*S-*CB

Connection Size
8: (I.D.×O.D.)22.23×25.4 [mm]
25M: (I.D.×O.D.)22×25 [mm]

Installation Method
0: Standard Base
9: Flange Base

Flow Characteristics Cv:9.6

